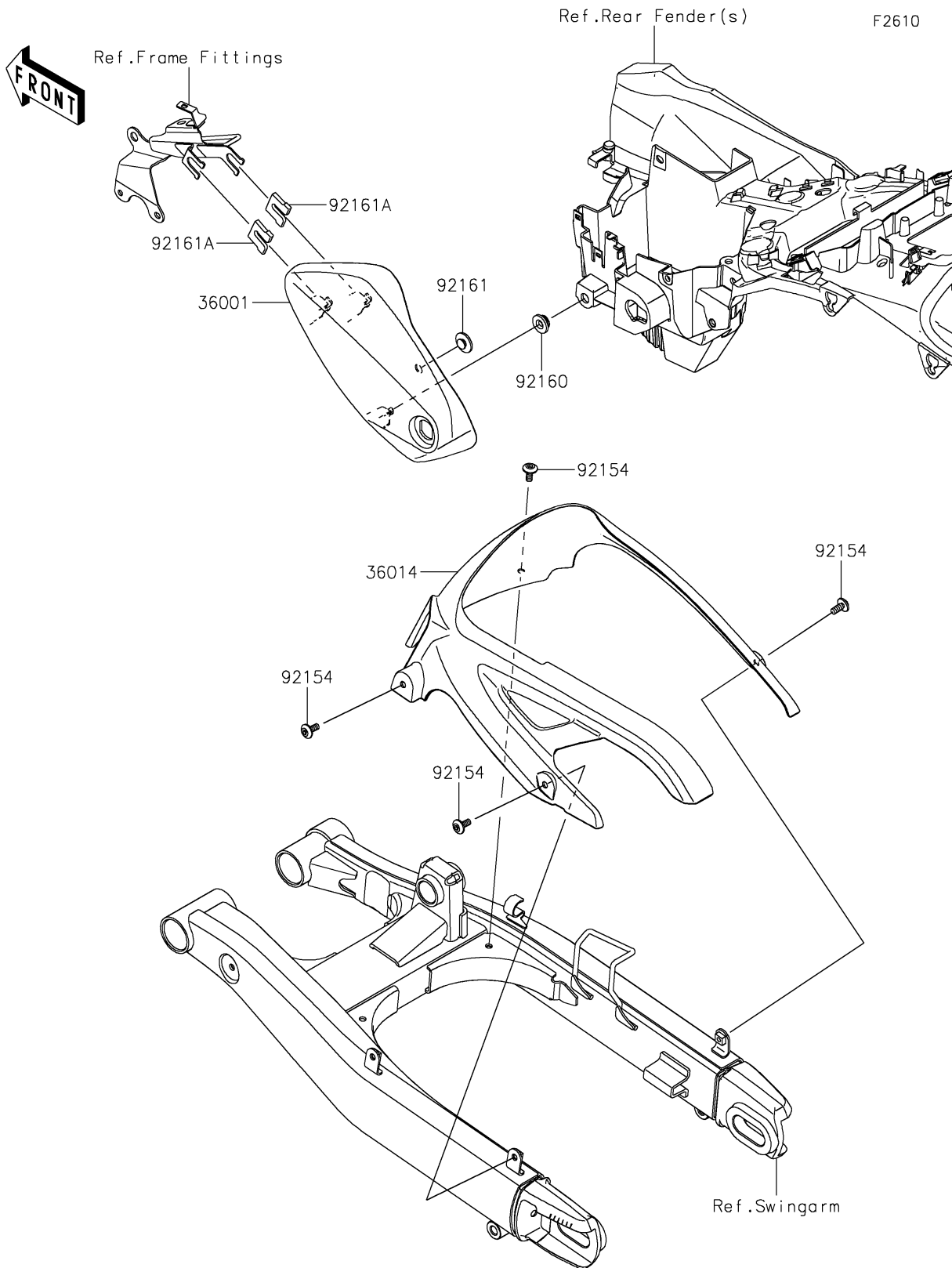


2026 VULCAN® S CAFE ABS

PARTS DIAGRAM

Side Covers/Chain Cover



2026 VULCAN[®] S CAFE ABS

PARTS LIST

Side Covers/Chain Cover

ITEM NAME	PART NUMBER	QUANTITY
-----------	-------------	----------
