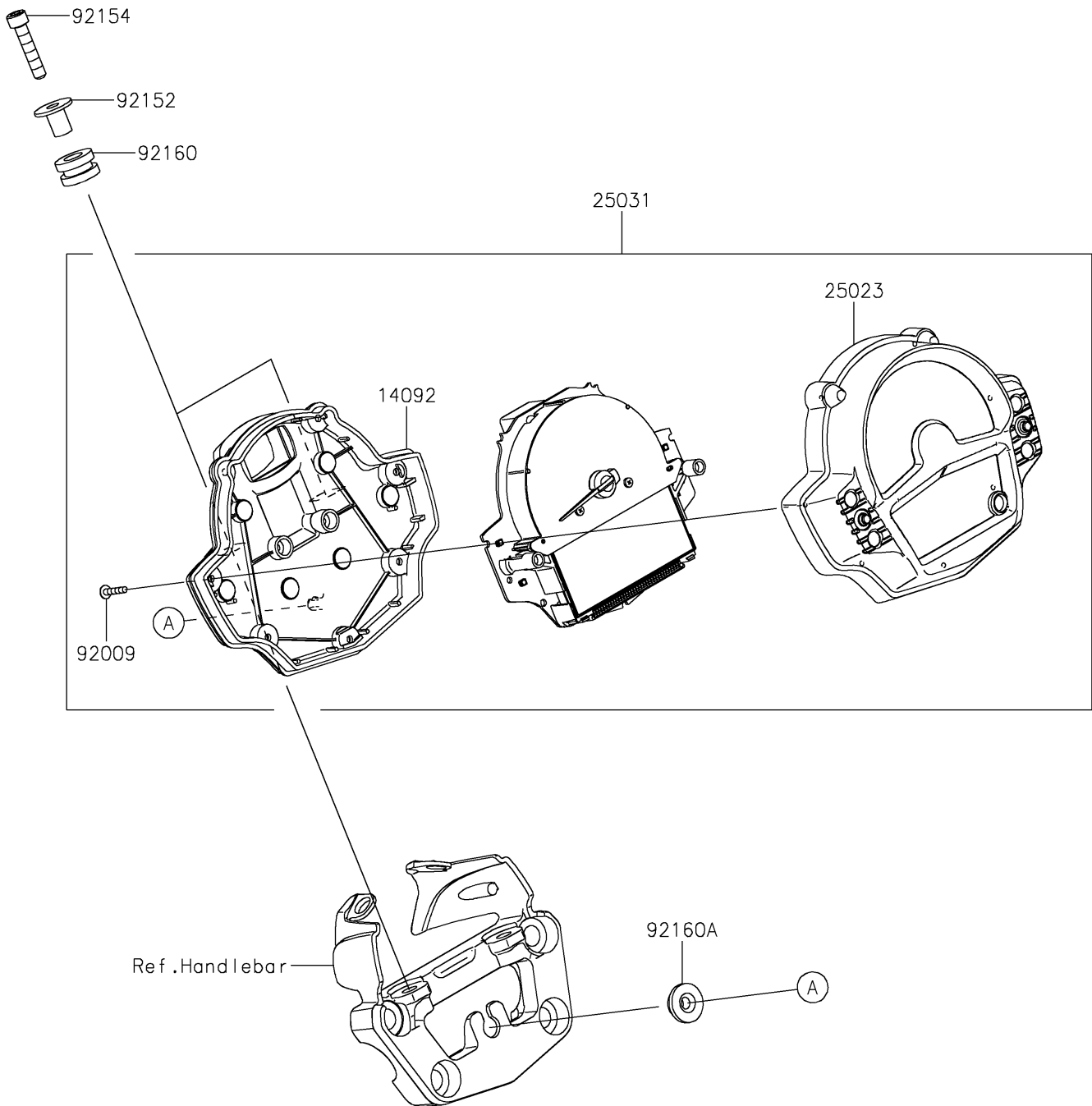


2026 VULCAN® S CAFE ABS

PARTS DIAGRAM

Meter(s)

F2530



2026 VULCAN[®] S CAFE ABS

PARTS LIST

Meter(s)

ITEM NAME

PART NUMBER

QUANTITY
