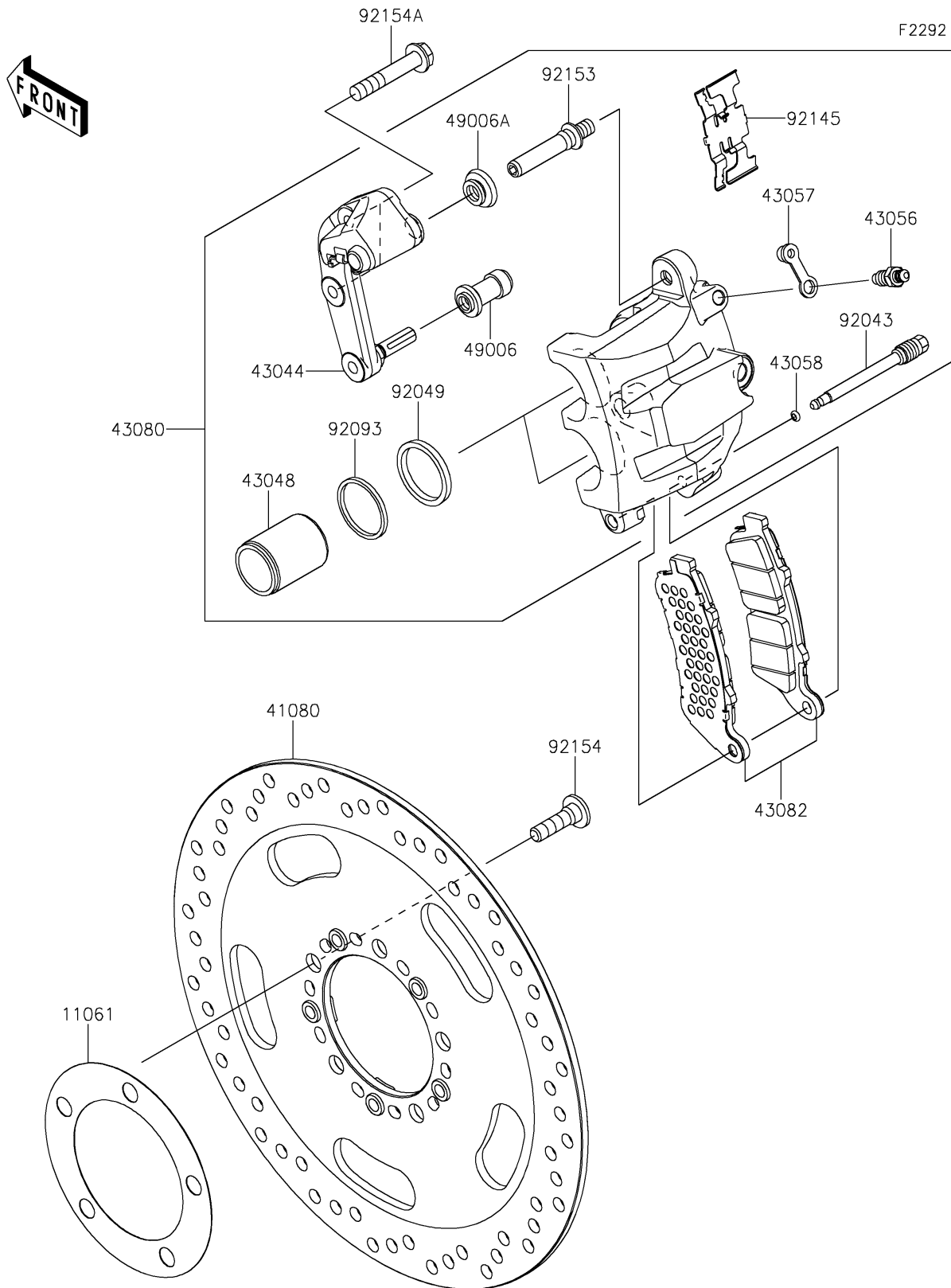


2026 VULCAN® S CAFE ABS

PARTS DIAGRAM

Front Brake



2026 VULCAN[®] S CAFE ABS

PARTS LIST

Front Brake

ITEM NAME

PART NUMBER

QUANTITY
