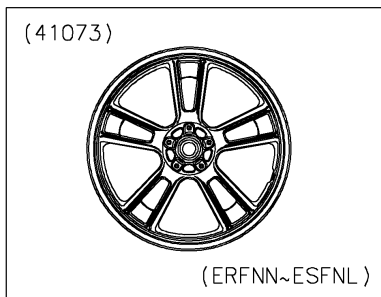
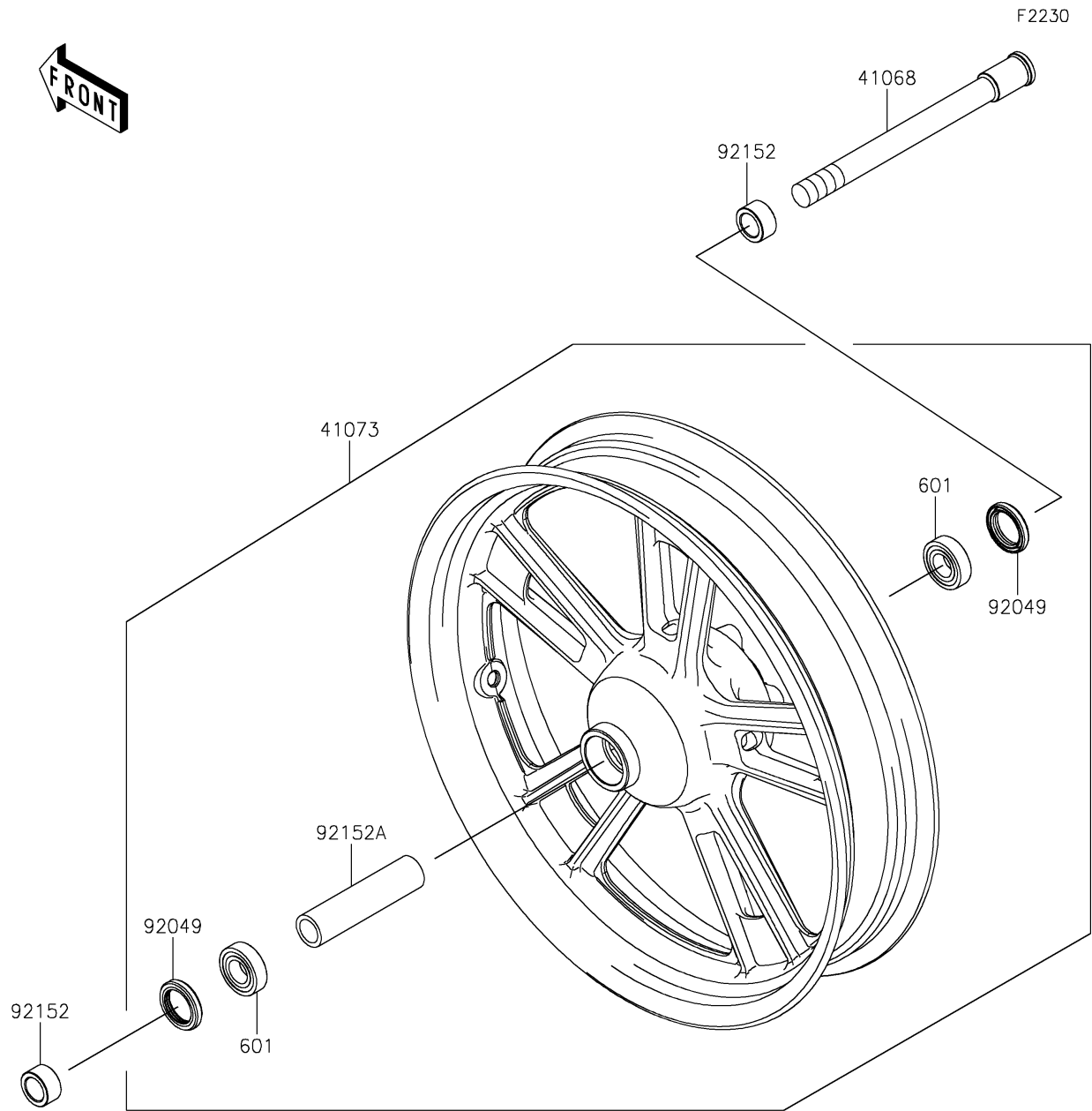


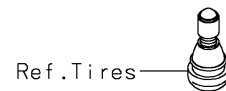
2026 VULCAN® S CAFE ABS

PARTS DIAGRAM

Front Wheel



WOD



2026 VULCAN[®] S CAFE ABS

PARTS LIST

Front Wheel

ITEM NAME

PART NUMBER

QUANTITY
