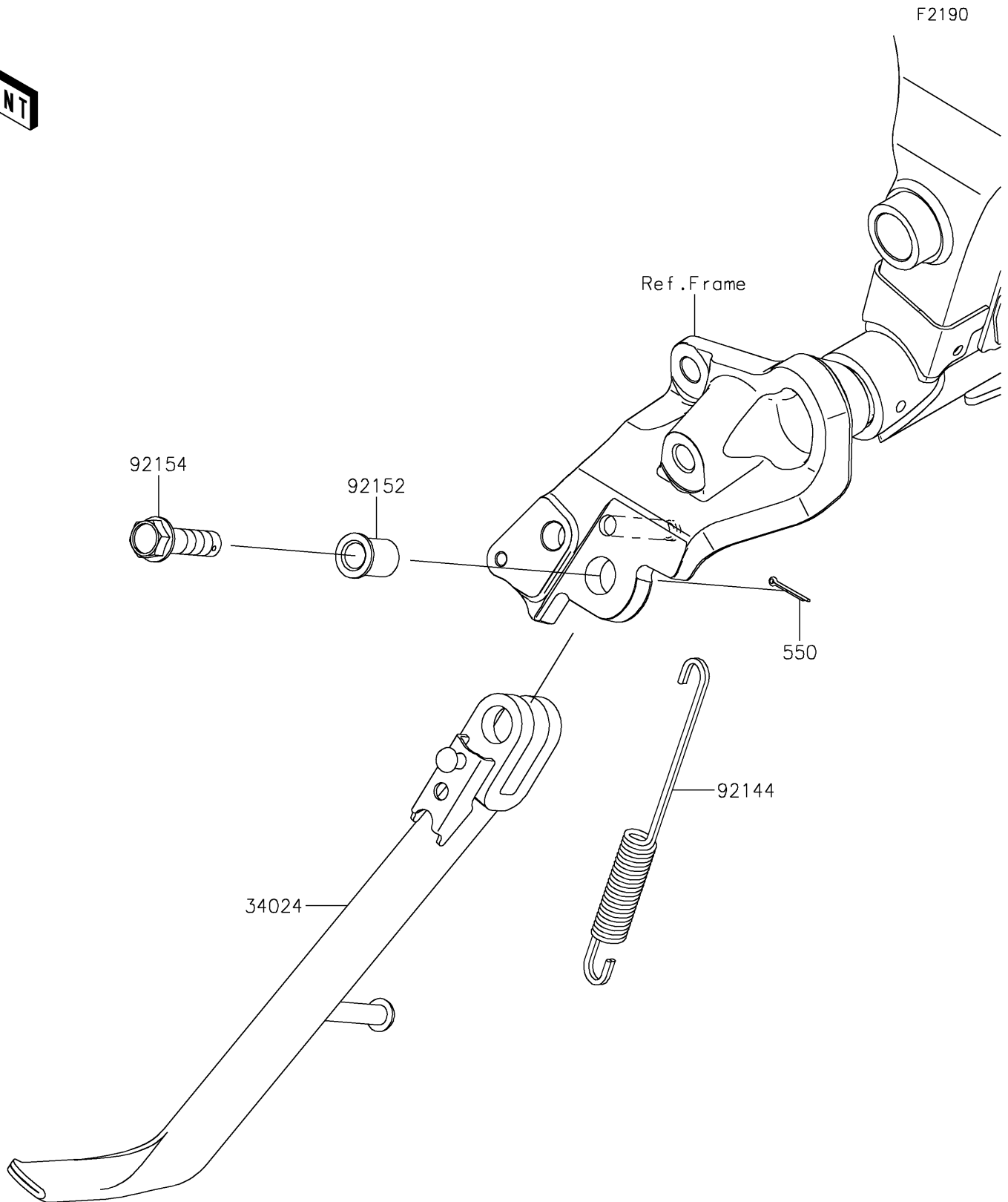


2026 VULCAN® S CAFE ABS

PARTS DIAGRAM

Stand(s)



2026 VULCAN[®] S CAFE ABS

PARTS LIST

Stand(s)

ITEM NAME

PART NUMBER

QUANTITY
