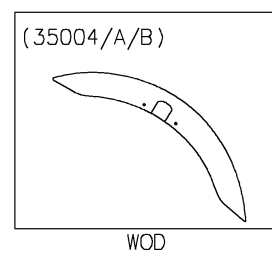
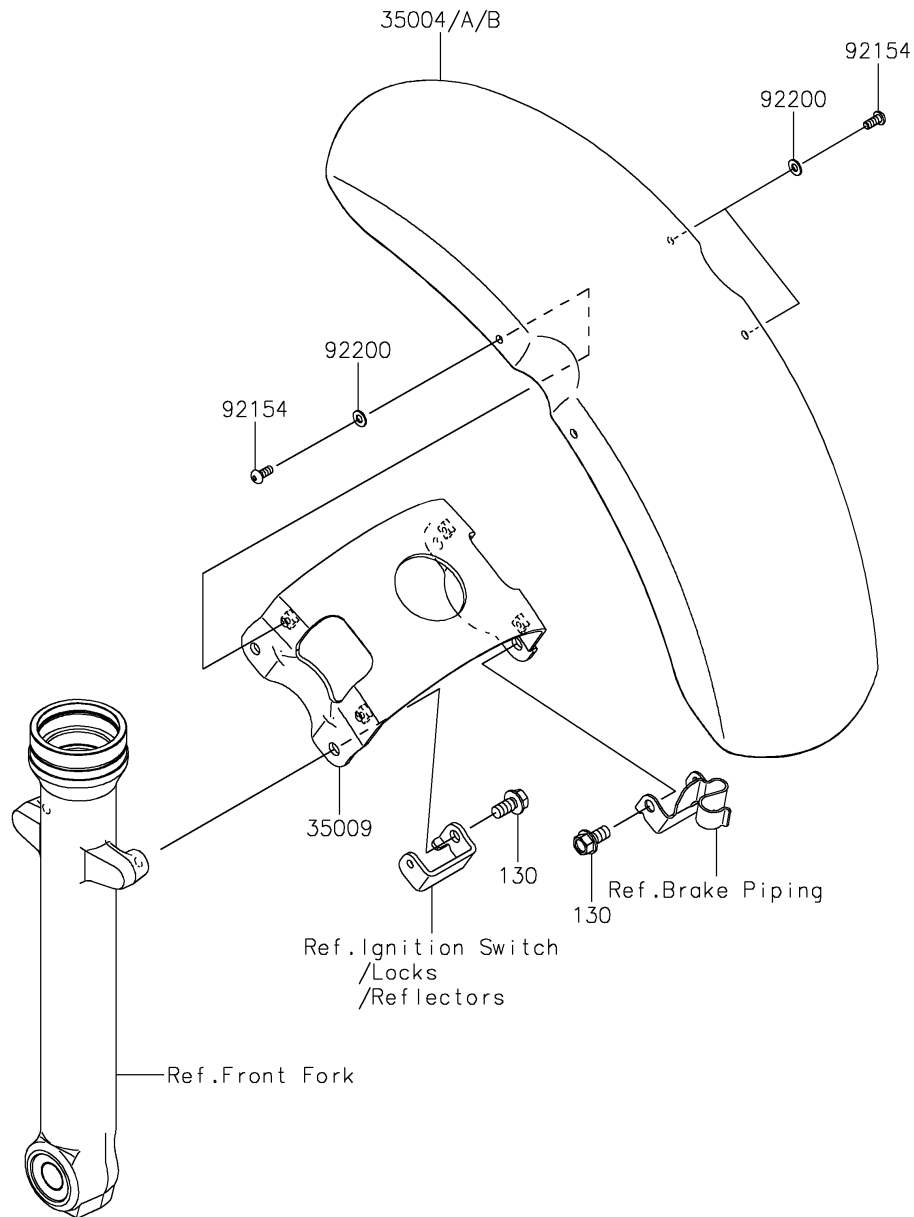


2026 VULCAN® S CAFE ABS

PARTS DIAGRAM

Front Fender(s)

F2171



2026 VULCAN[®] S CAFE ABS

PARTS LIST

Front Fender(s)

ITEM NAME	PART NUMBER	QUANTITY
-----------	-------------	----------
