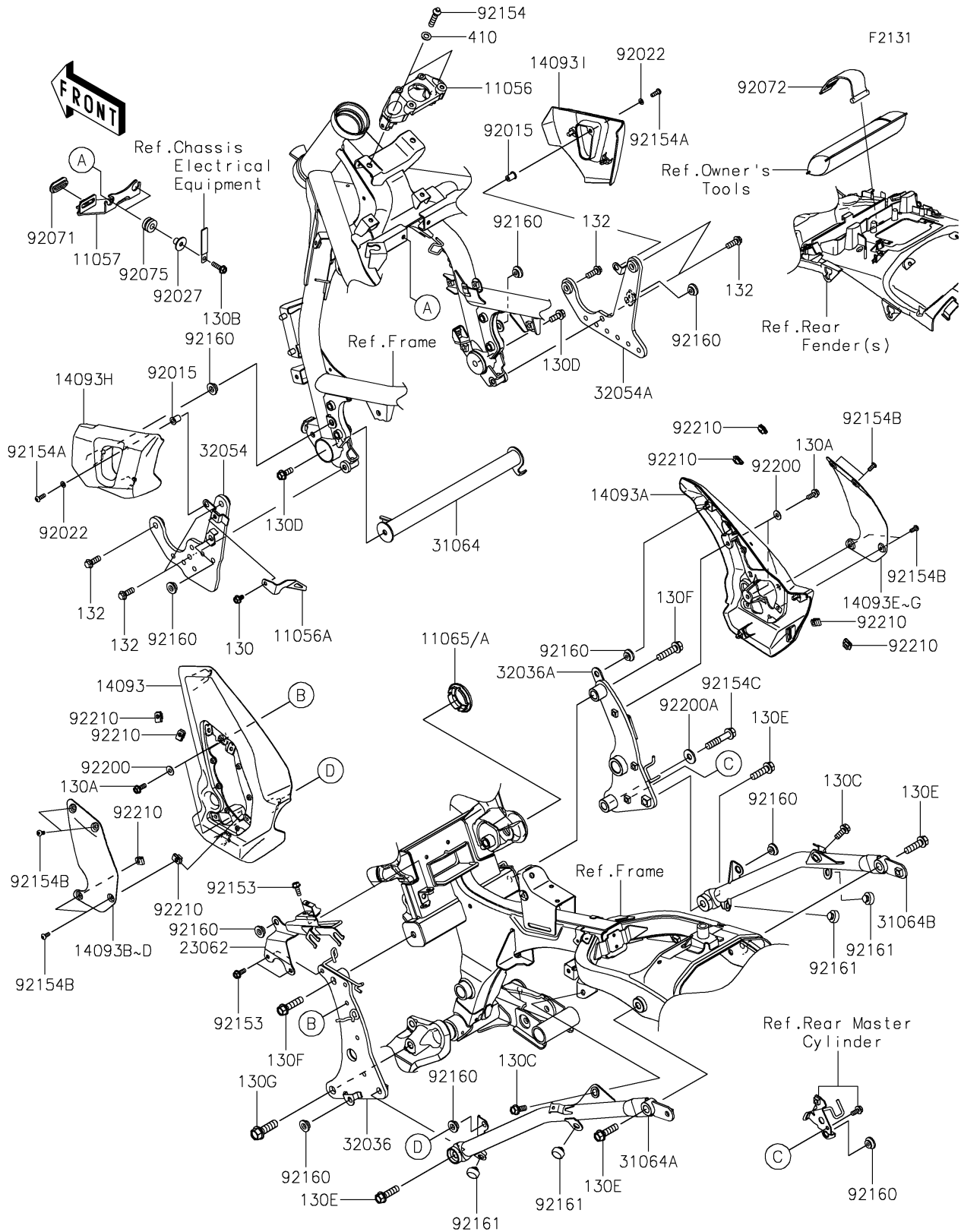


2026 VULCAN® S CAFE ABS

PARTS DIAGRAM

Frame Fittings



2026 VULCAN[®] S CAFE ABS

PARTS LIST

Frame Fittings

ITEM NAME

PART NUMBER

QUANTITY
