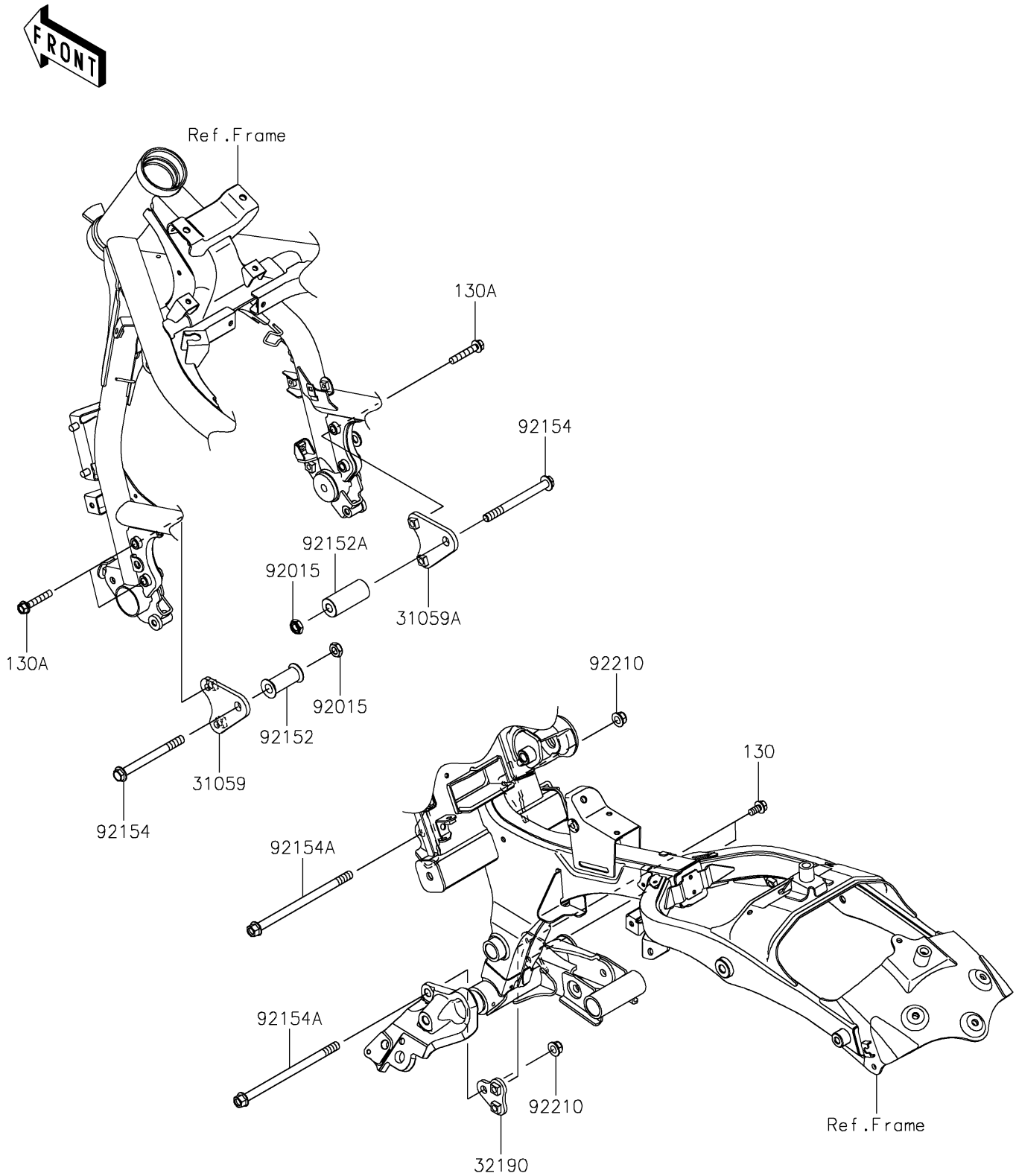


2026 VULCAN® S CAFE ABS

PARTS DIAGRAM

Engine Mount

F2122



2026 VULCAN[®] S CAFE ABS

PARTS LIST

Engine Mount

ITEM NAME	PART NUMBER	QUANTITY
-----------	-------------	----------
