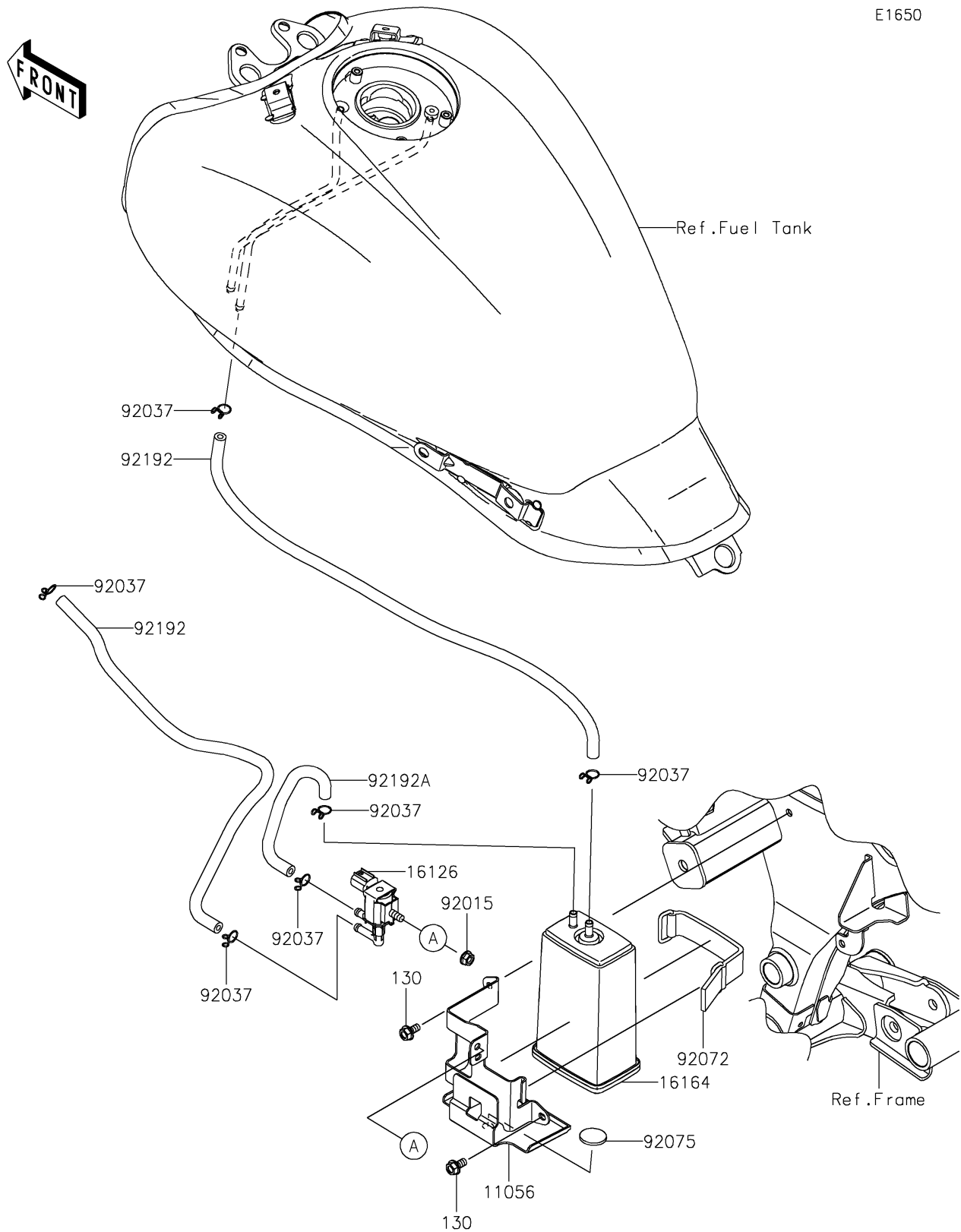


# 2026 VULCAN® S CAFE ABS

## PARTS DIAGRAM

### Fuel Evaporative System(CA)

E1650



# 2026 VULCAN<sup>®</sup> S CAFE ABS

## PARTS LIST

### Fuel Evaporative System(CA)

**ITEM NAME**

**PART NUMBER**

**QUANTITY**

---