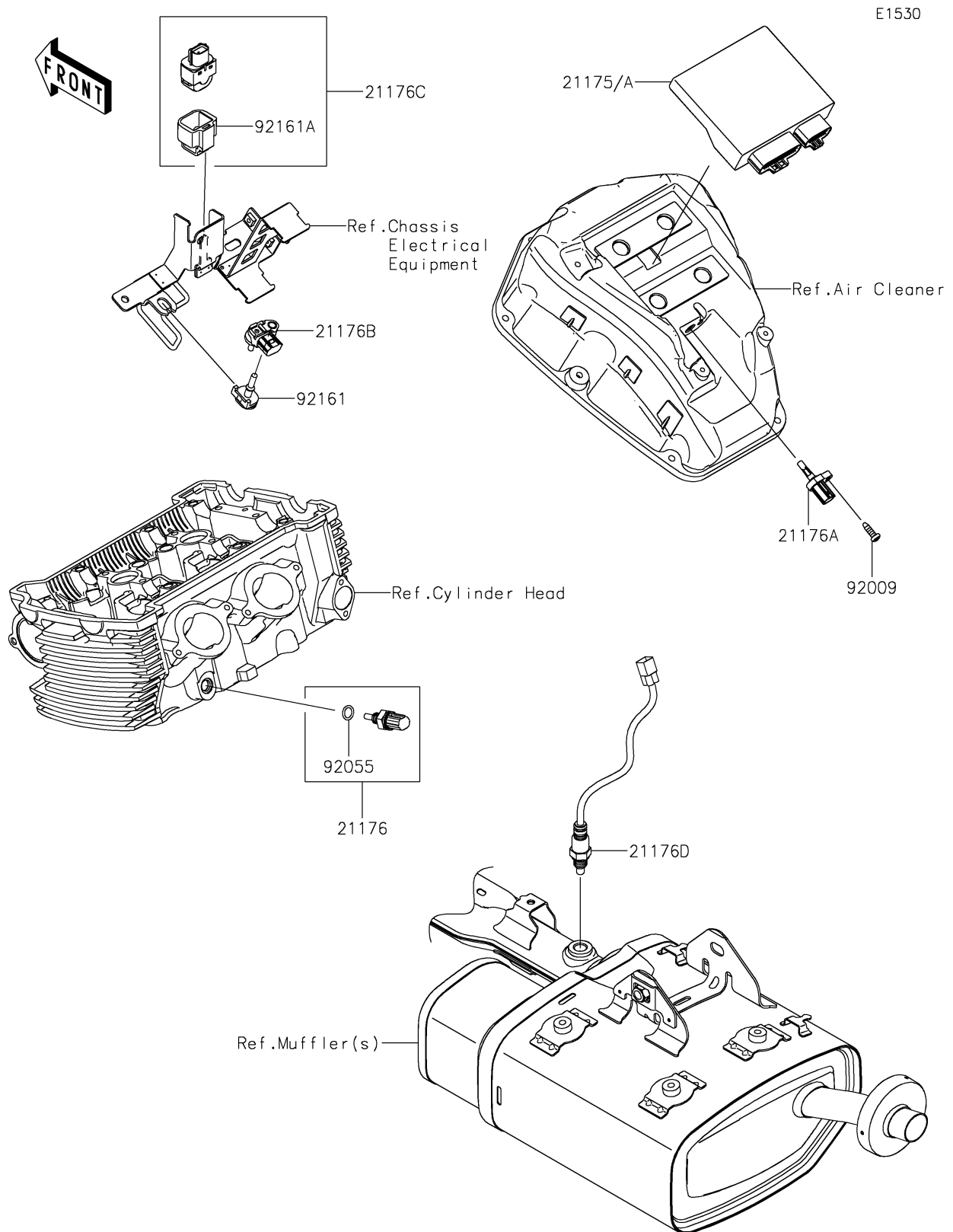


2026 VULCAN[®] S CAFE ABS

PARTS DIAGRAM

Fuel Injection



2026 VULCAN[®] S CAFE ABS

PARTS LIST

Fuel Injection



ITEM NAME

PART NUMBER

QUANTITY
