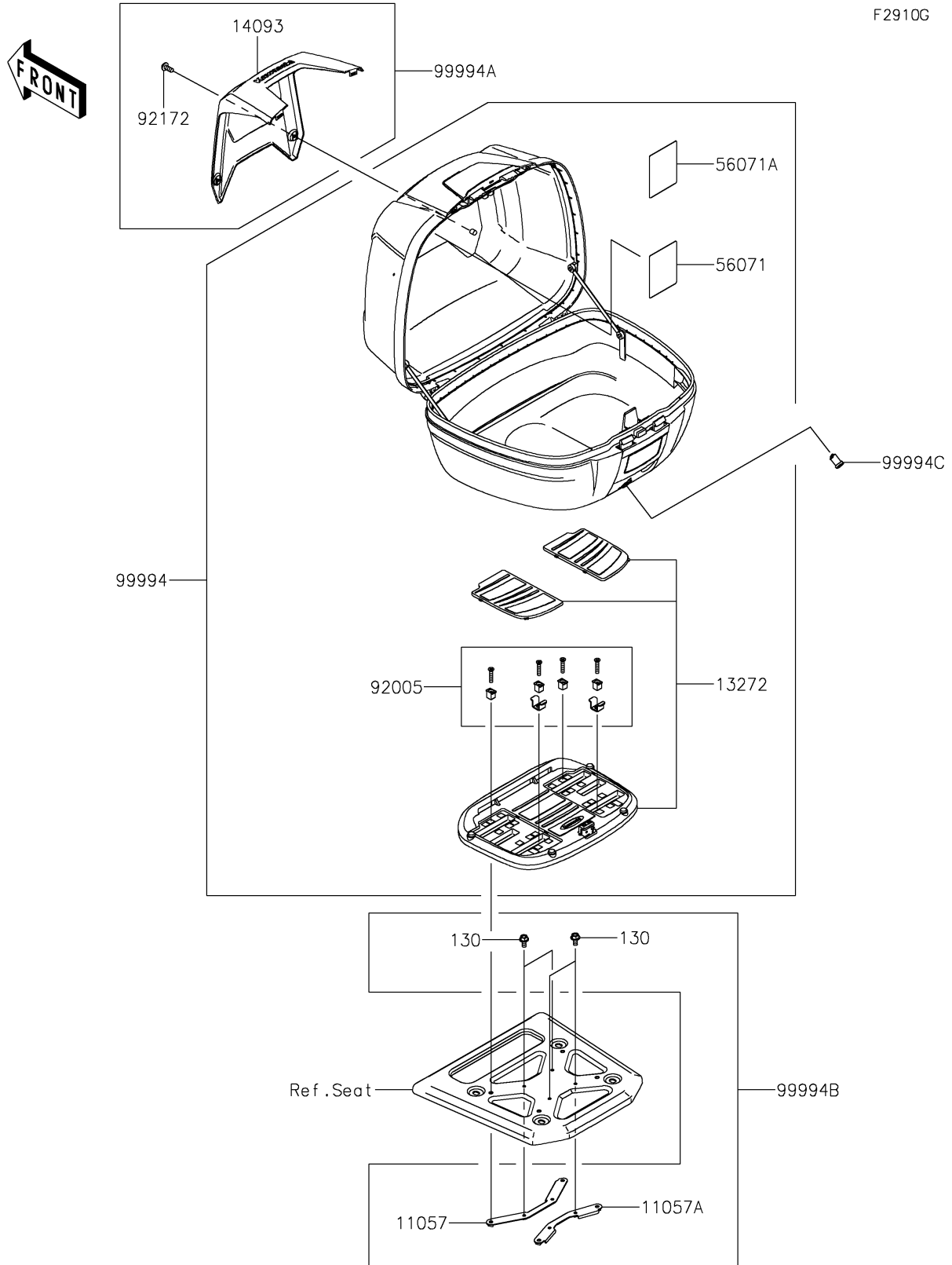


# 2026 KLR® 650 S

## PARTS DIAGRAM

### Accessory(Topcase)



F2910G

# 2026 KLR<sup>®</sup> 650 S

## PARTS LIST

Accessory(Topcase)

**ITEM NAME**

**PART NUMBER**

**QUANTITY**

---