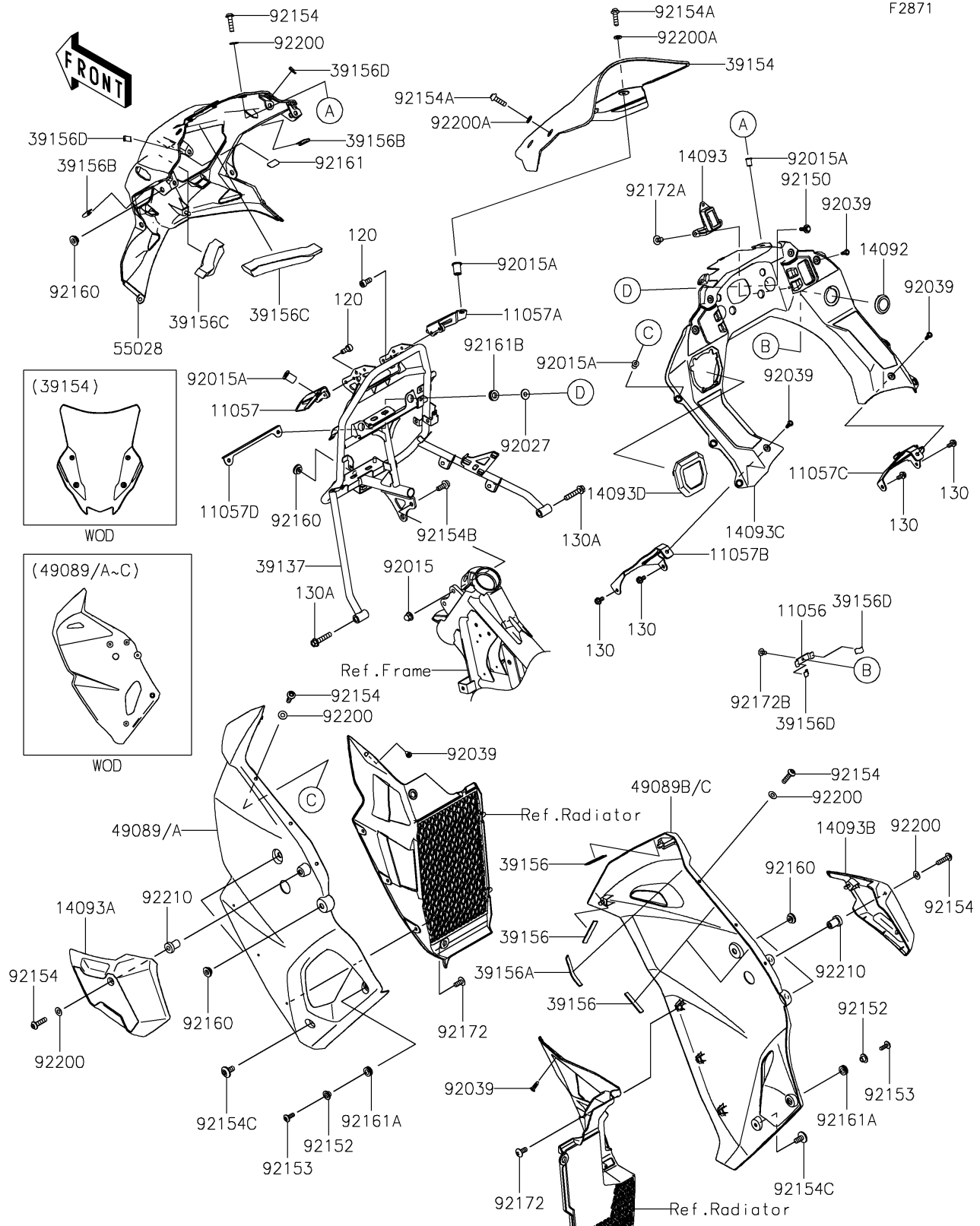


# 2026 KLR® 650 S

## PARTS DIAGRAM

### Cowling

F2871



# 2026 KLR<sup>®</sup> 650 S

## PARTS LIST

### Cowling

**ITEM NAME**

**PART NUMBER**

**QUANTITY**

---