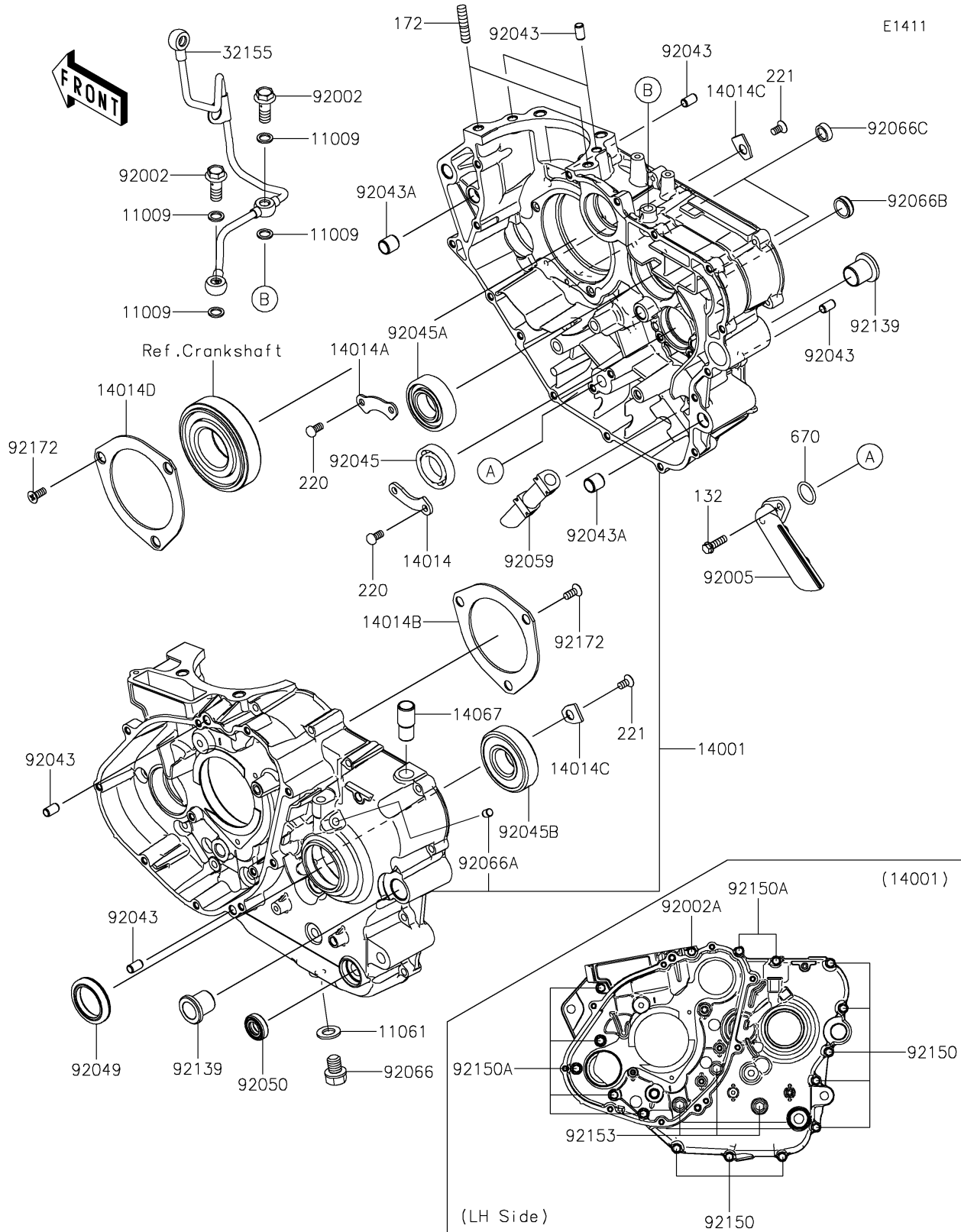


2026 KLR[®] 650 S

PARTS DIAGRAM

Crankcase



2026 KLR[®] 650 S

PARTS LIST

Crankcase

ITEM NAME

PART NUMBER

QUANTITY
