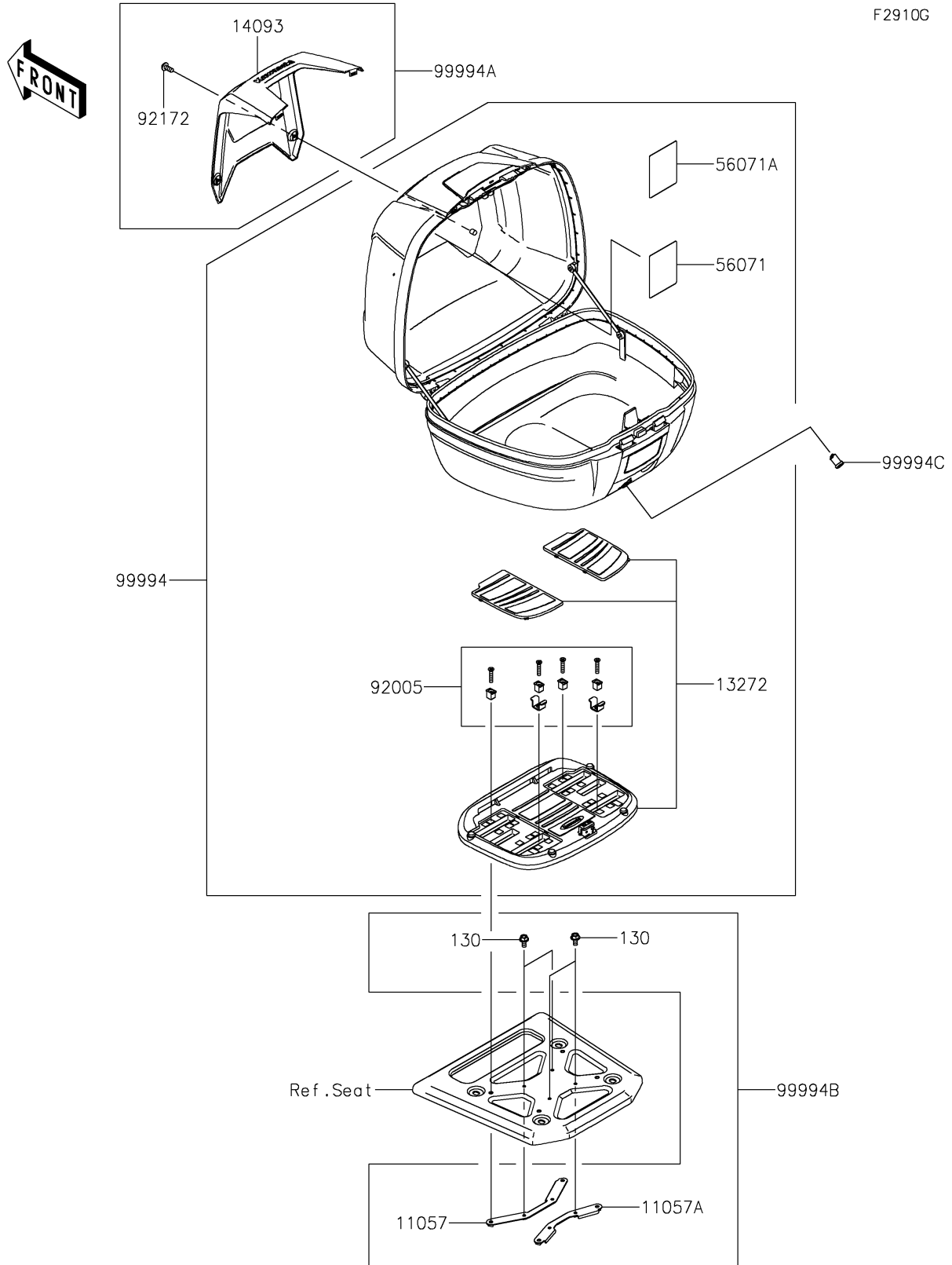


# 2026 KLR650 S ABS

## PARTS DIAGRAM

### Accessory(Topcase)



# 2026 KLR650 S ABS

## PARTS LIST

Accessory(Topcase)

**ITEM NAME**

**PART NUMBER**

**QUANTITY**

---