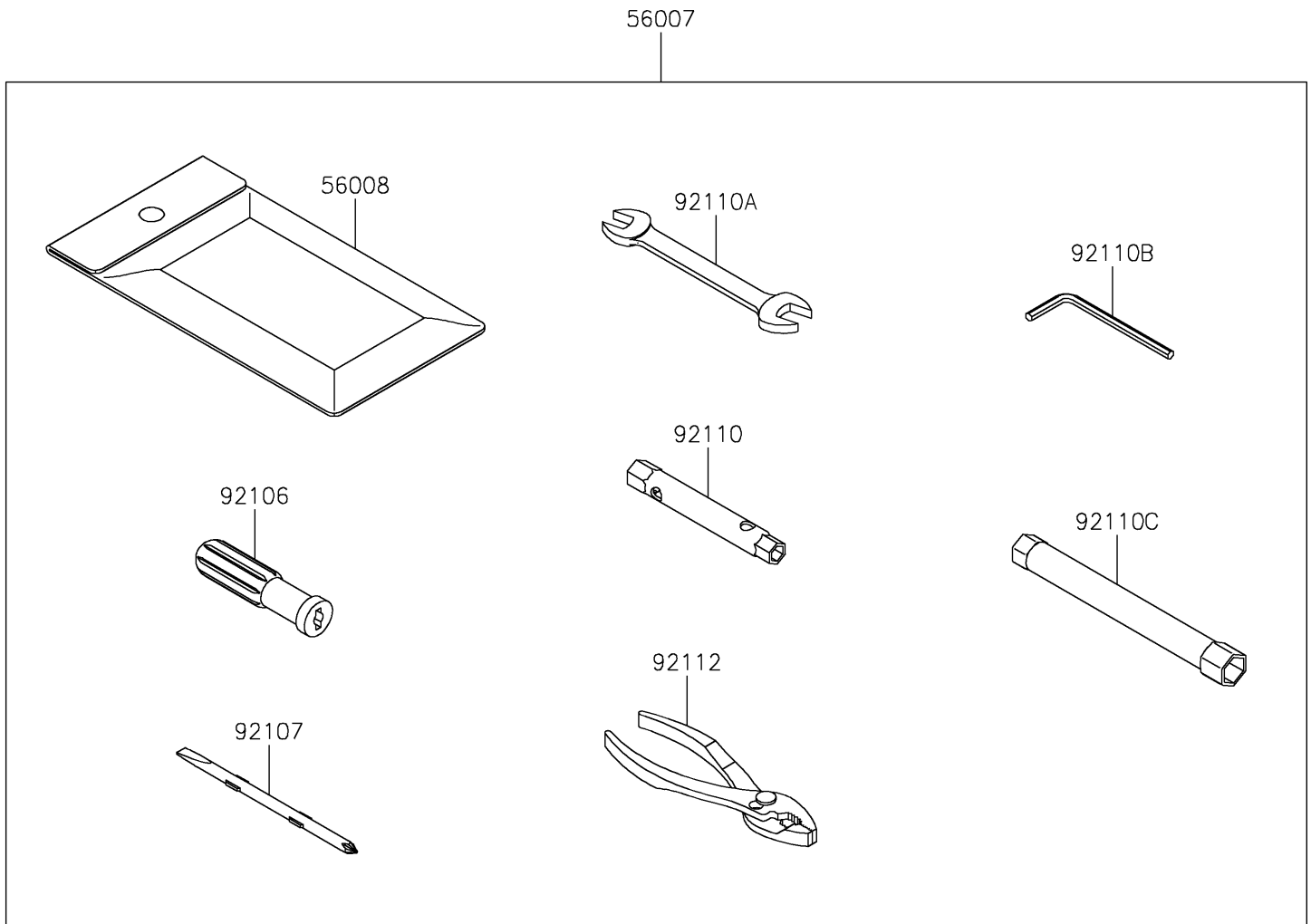


2026 KLR650 S ABS

PARTS DIAGRAM

Owner's Tools

F2810



2026 KLR650 S ABS

PARTS LIST Owner's Tools

ITEM NAME	PART NUMBER	QUANTITY
-----------	-------------	----------
