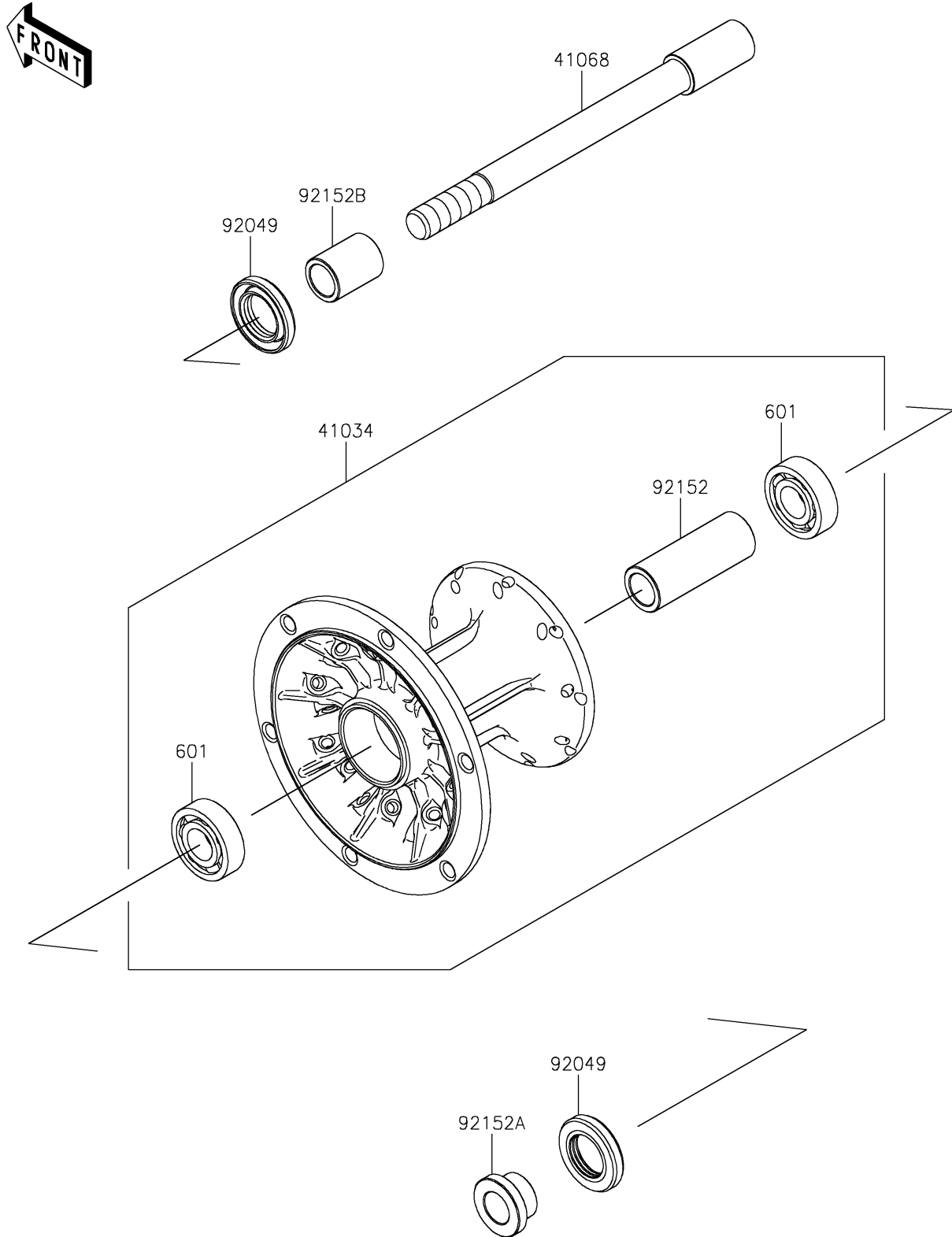


# 2026 KLR650 S ABS

## PARTS DIAGRAM

### Front Hub

F2230



# 2026 KLR650 S ABS

## PARTS LIST

### Front Hub

**ITEM NAME**

**PART NUMBER**

**QUANTITY**

---