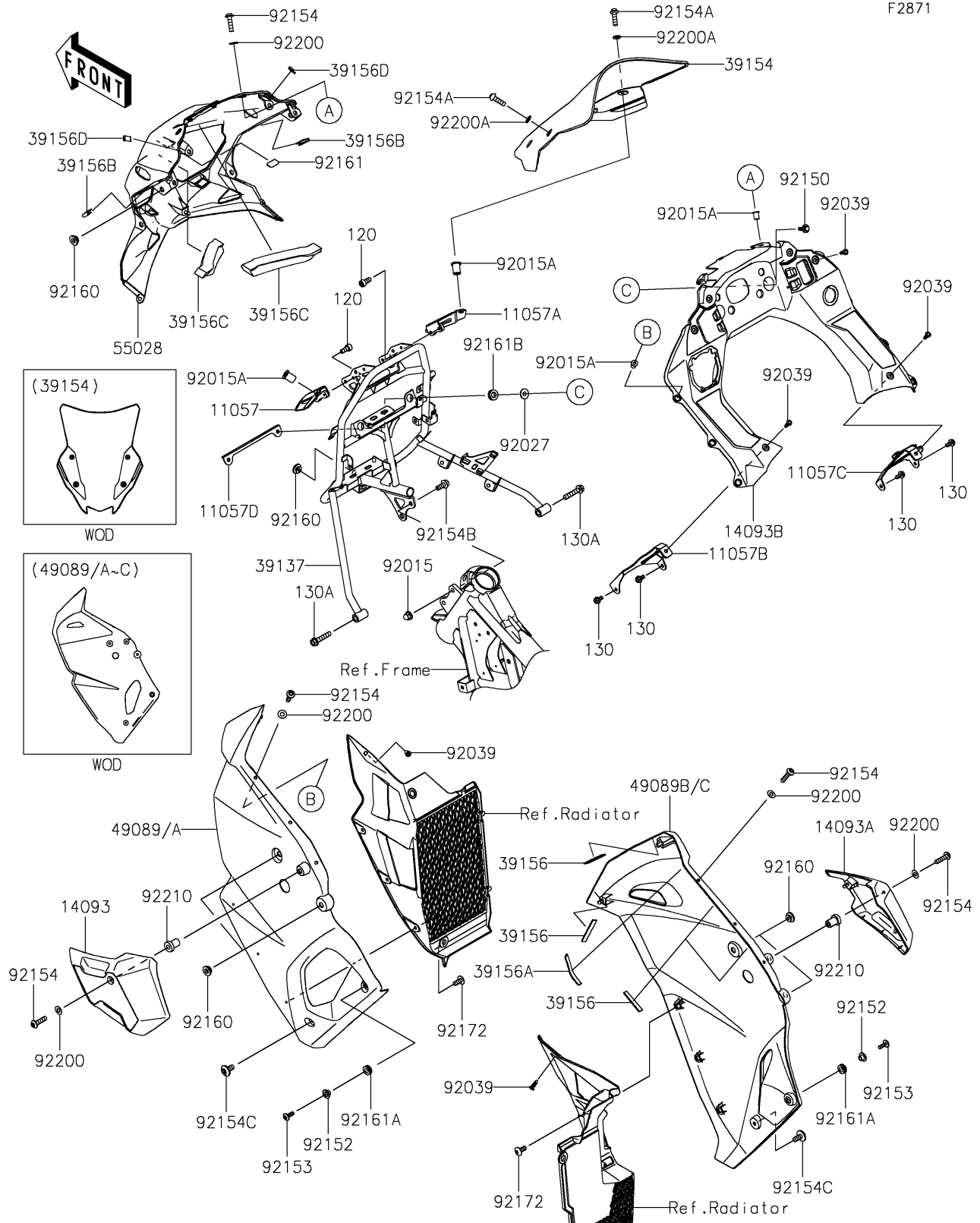


2026 KLR® 650 ADVENTURE ABS

PARTS DIAGRAM

Cowling

F2871



2026 KLR[®] 650 ADVENTURE ABS

PARTS LIST

Cowling

ITEM NAME	PART NUMBER	QUANTITY
-----------	-------------	----------
