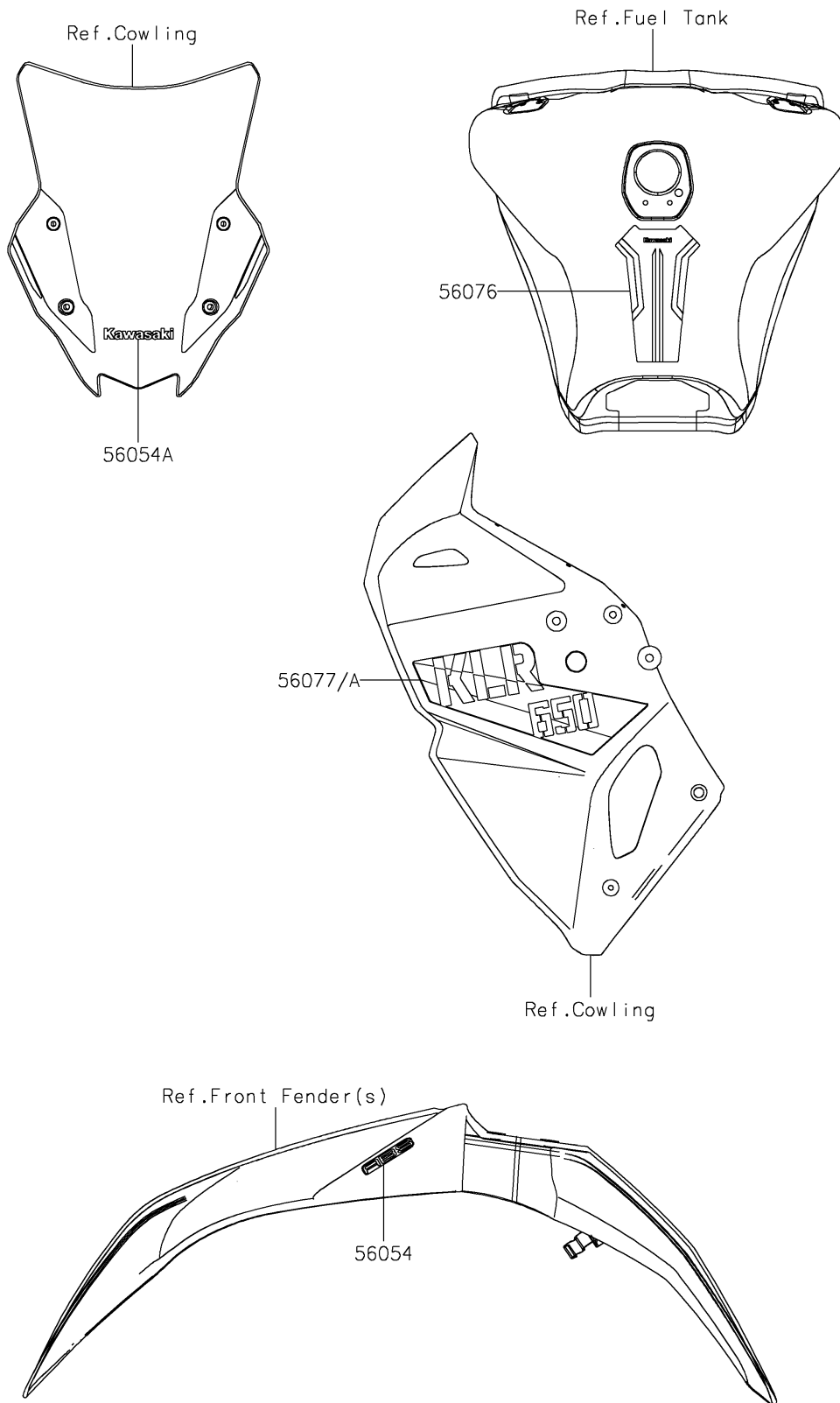


# 2026 KLR® 650 ADVENTURE ABS

## PARTS DIAGRAM

### Decals(Green)

F2861



# 2026 KLR<sup>®</sup> 650 ADVENTURE ABS



## PARTS LIST Decals(Green)

ITEM NAME	PART NUMBER	QUANTITY
-----------	-------------	----------

---