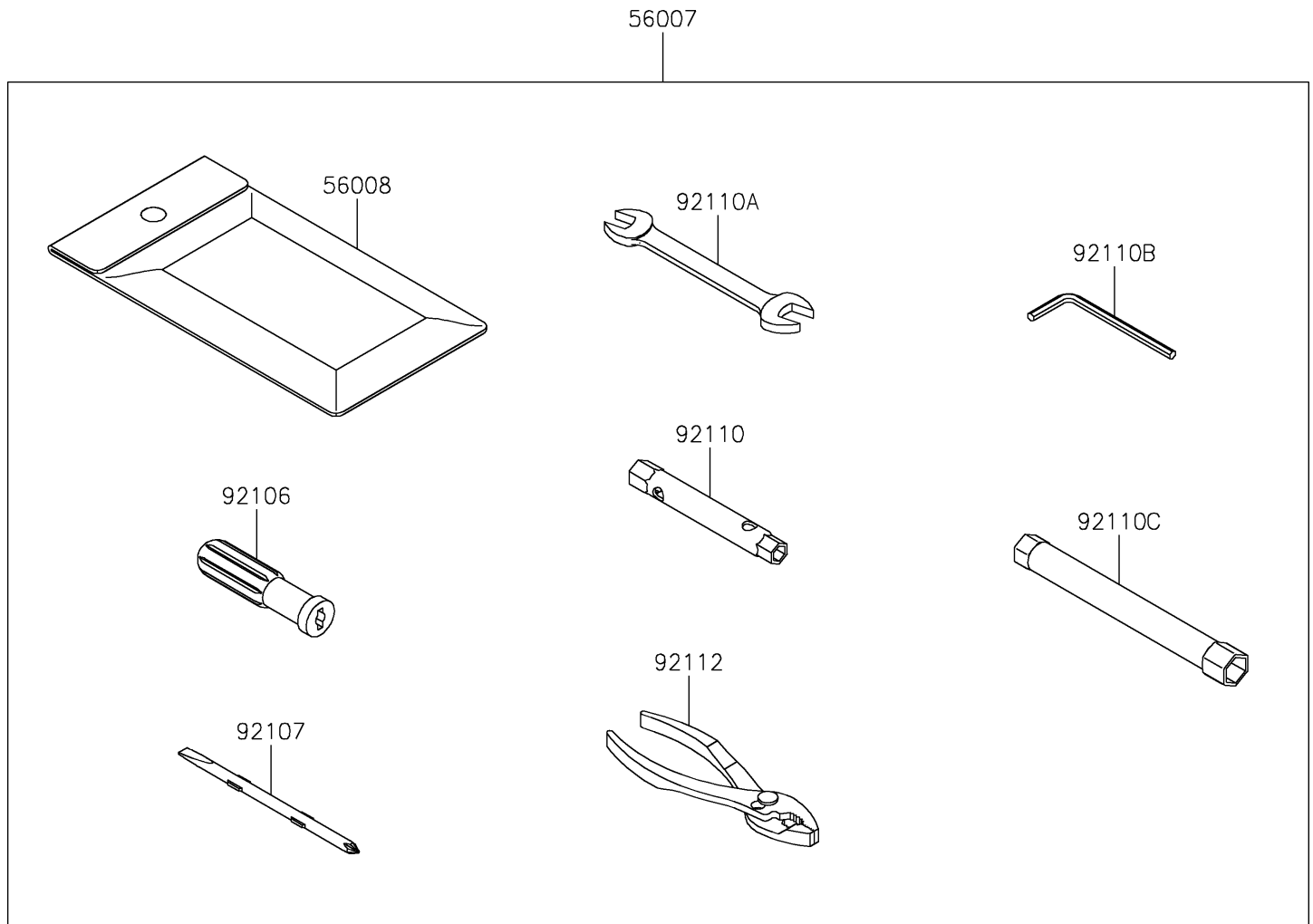


# 2026 KLR650 Adventure ABS

## PARTS DIAGRAM

### Owner's Tools

F2810



# 2026 KLR650 Adventure ABS

## PARTS LIST Owner's Tools

ITEM NAME	PART NUMBER	QUANTITY
-----------	-------------	----------

---