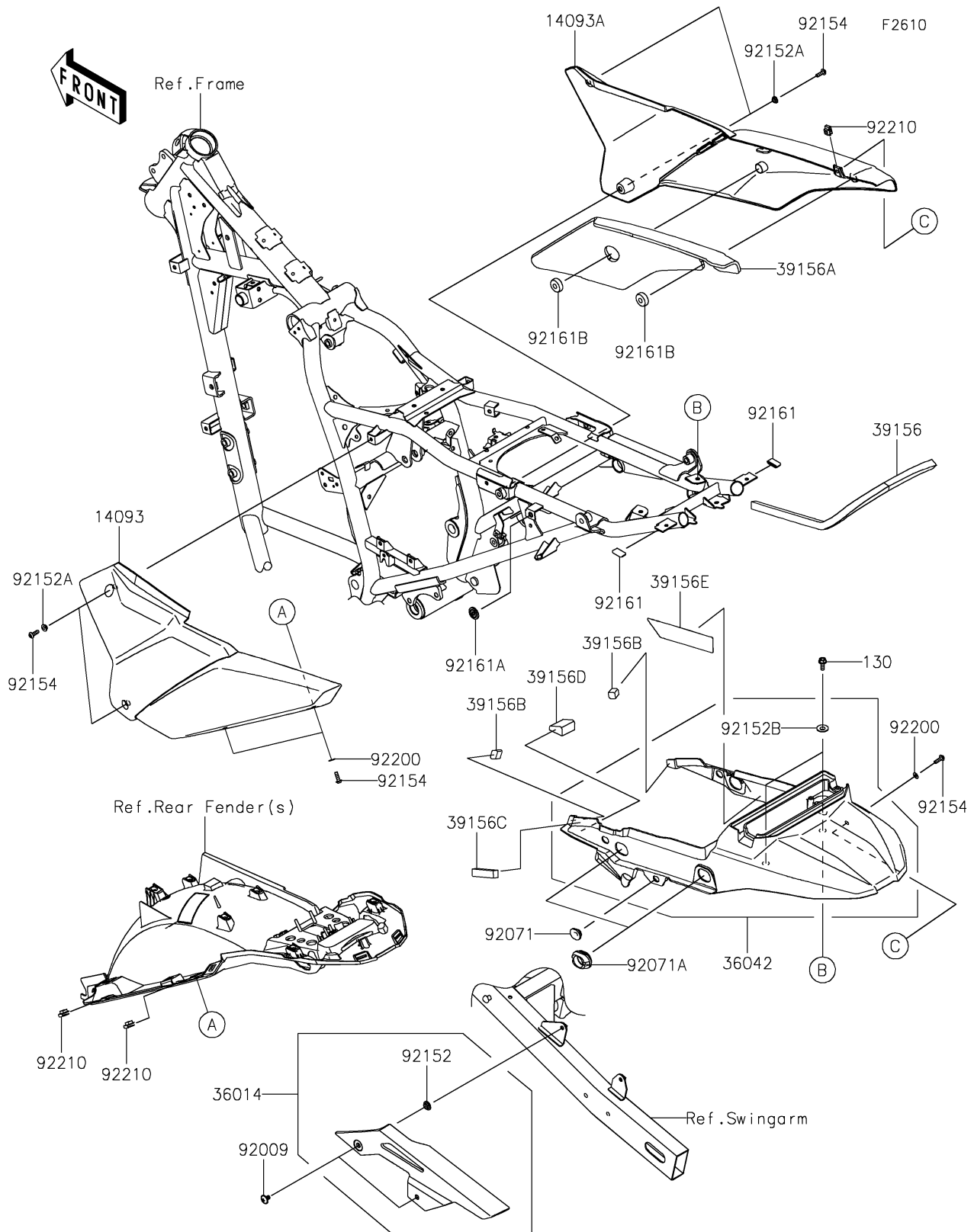


2026 KLR® 650 ADVENTURE ABS

PARTS DIAGRAM

Side Covers/Chain Cover



2026 KLR[®] 650 ADVENTURE ABS

PARTS LIST

Side Covers/Chain Cover

ITEM NAME	PART NUMBER	QUANTITY
-----------	-------------	----------
