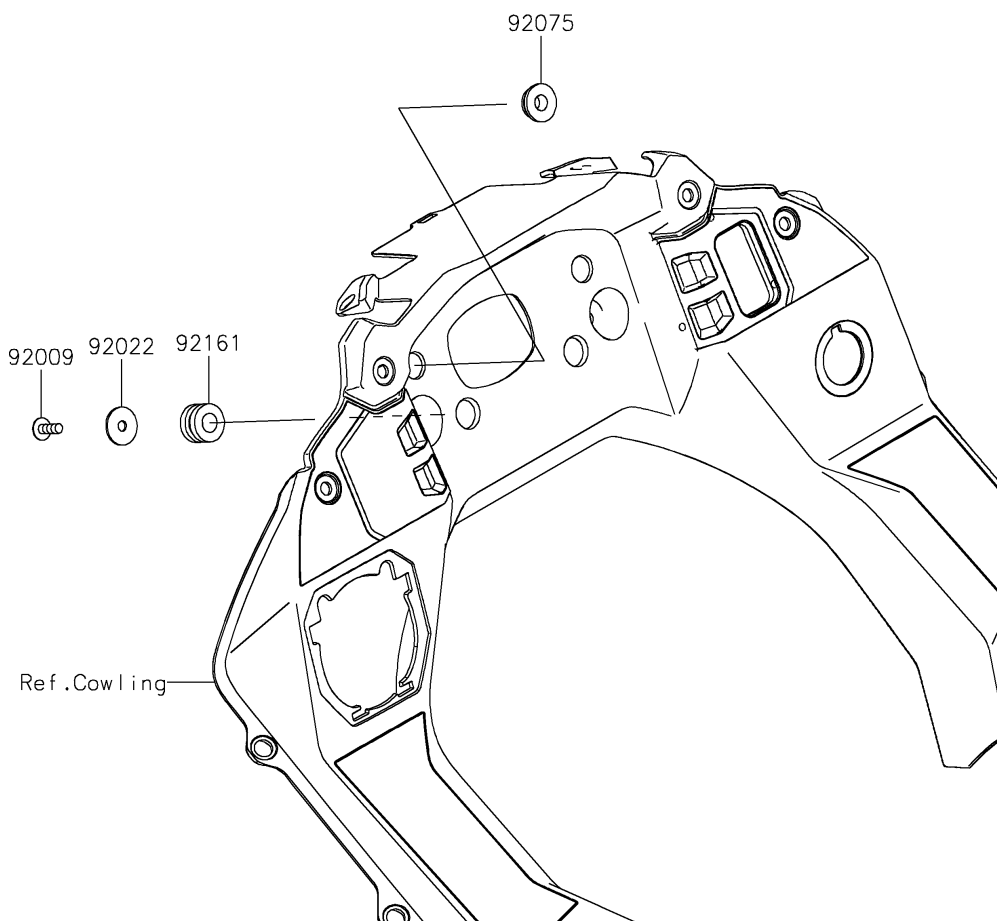
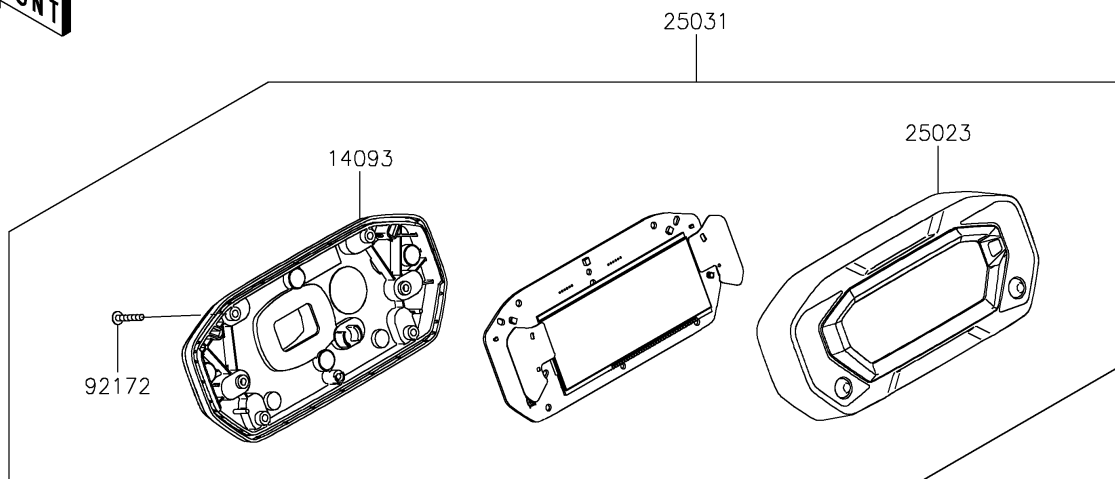


# 2026 KLR® 650 ADVENTURE ABS

## PARTS DIAGRAM

### Meter(s)

F2530



# 2026 KLR<sup>®</sup> 650 ADVENTURE ABS

## PARTS LIST

Meter(s)

ITEM NAME	PART NUMBER	QUANTITY
-----------	-------------	----------

---