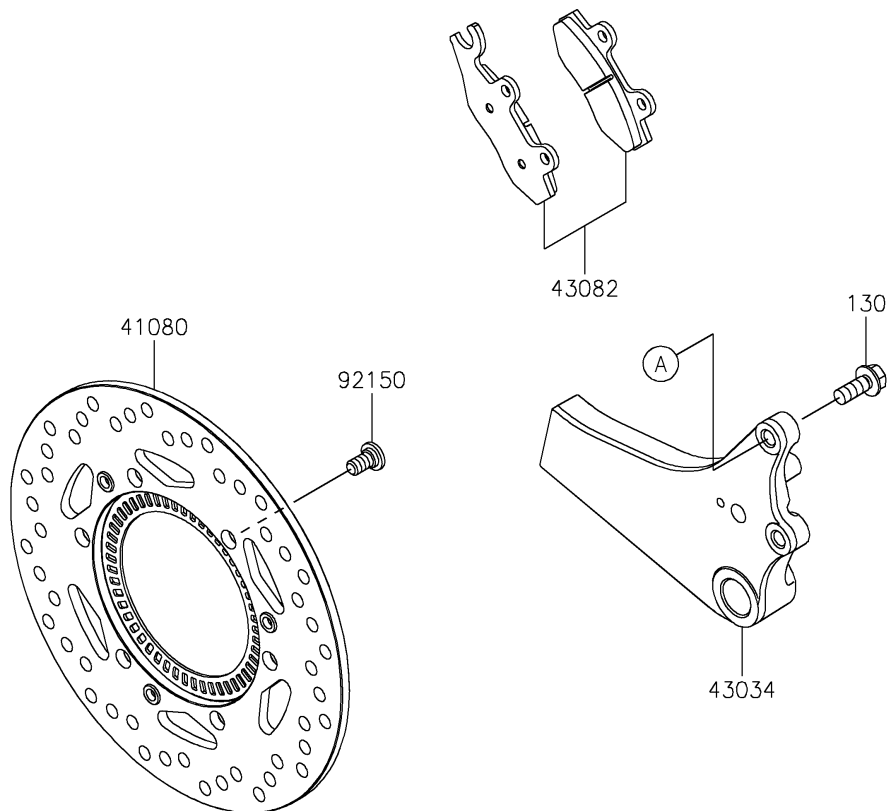
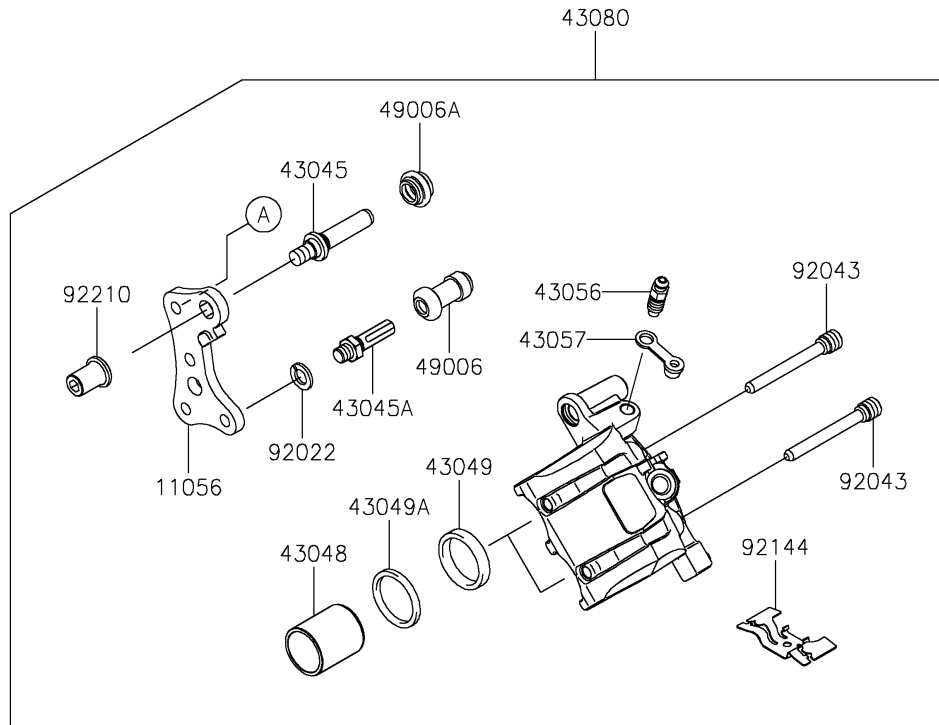


2026 KLR® 650 ADVENTURE ABS

PARTS DIAGRAM

Rear Brake

F2294



2026 KLR[®] 650 ADVENTURE ABS

PARTS LIST

Rear Brake

ITEM NAME	PART NUMBER	QUANTITY
-----------	-------------	----------
