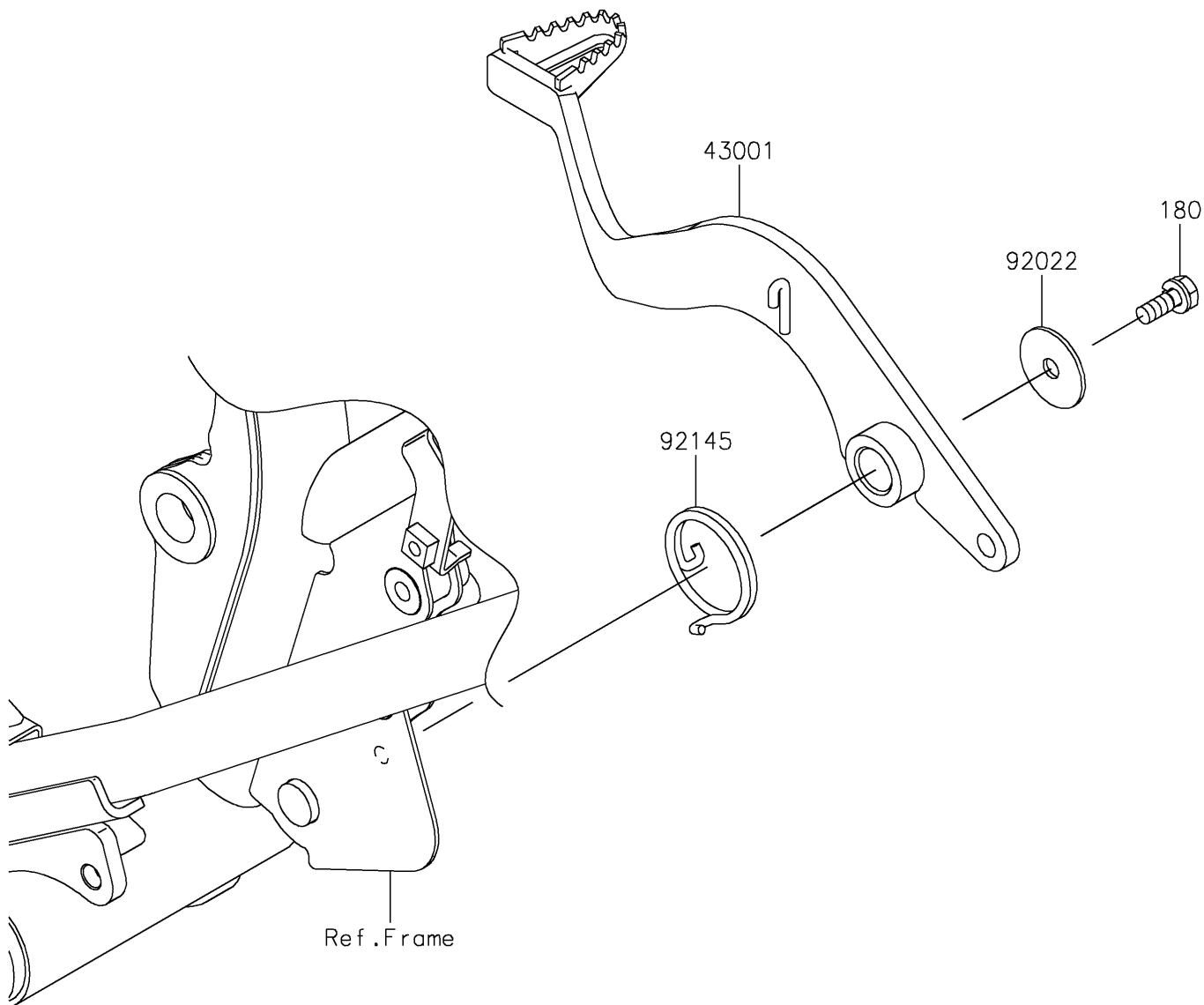


# 2026 KLR<sup>®</sup> 650 ADVENTURE ABS

## PARTS DIAGRAM

### Brake Pedal

F2260



# 2026 KLR<sup>®</sup> 650 ADVENTURE ABS

## PARTS LIST

### Brake Pedal

ITEM NAME	PART NUMBER	QUANTITY
-----------	-------------	----------

---