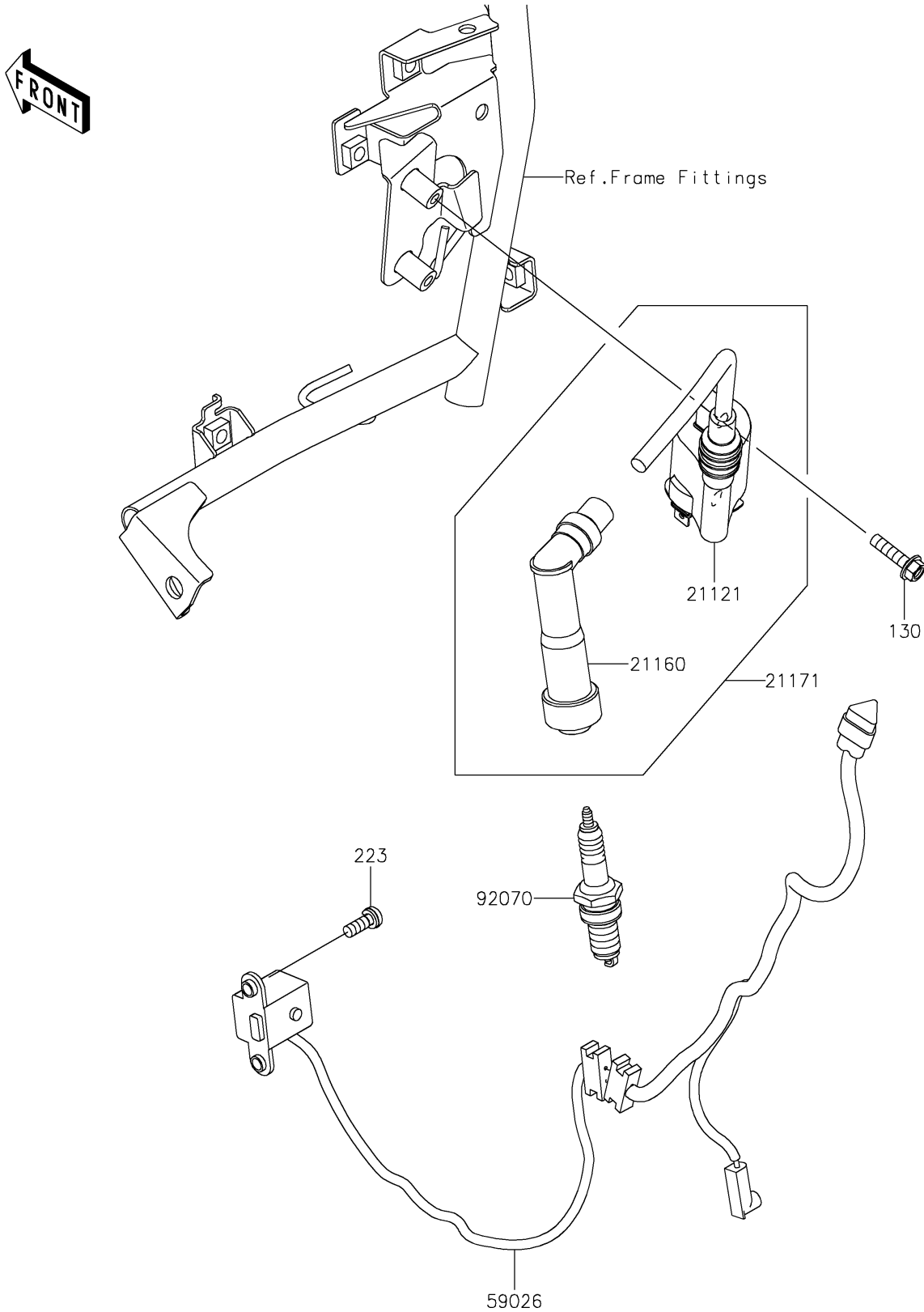


# 2026 KLR650 Adventure ABS

## PARTS DIAGRAM

### Ignition System

E1830



# 2026 KLR650 Adventure ABS

## PARTS LIST Ignition System

ITEM NAME	PART NUMBER	QUANTITY
-----------	-------------	----------

---