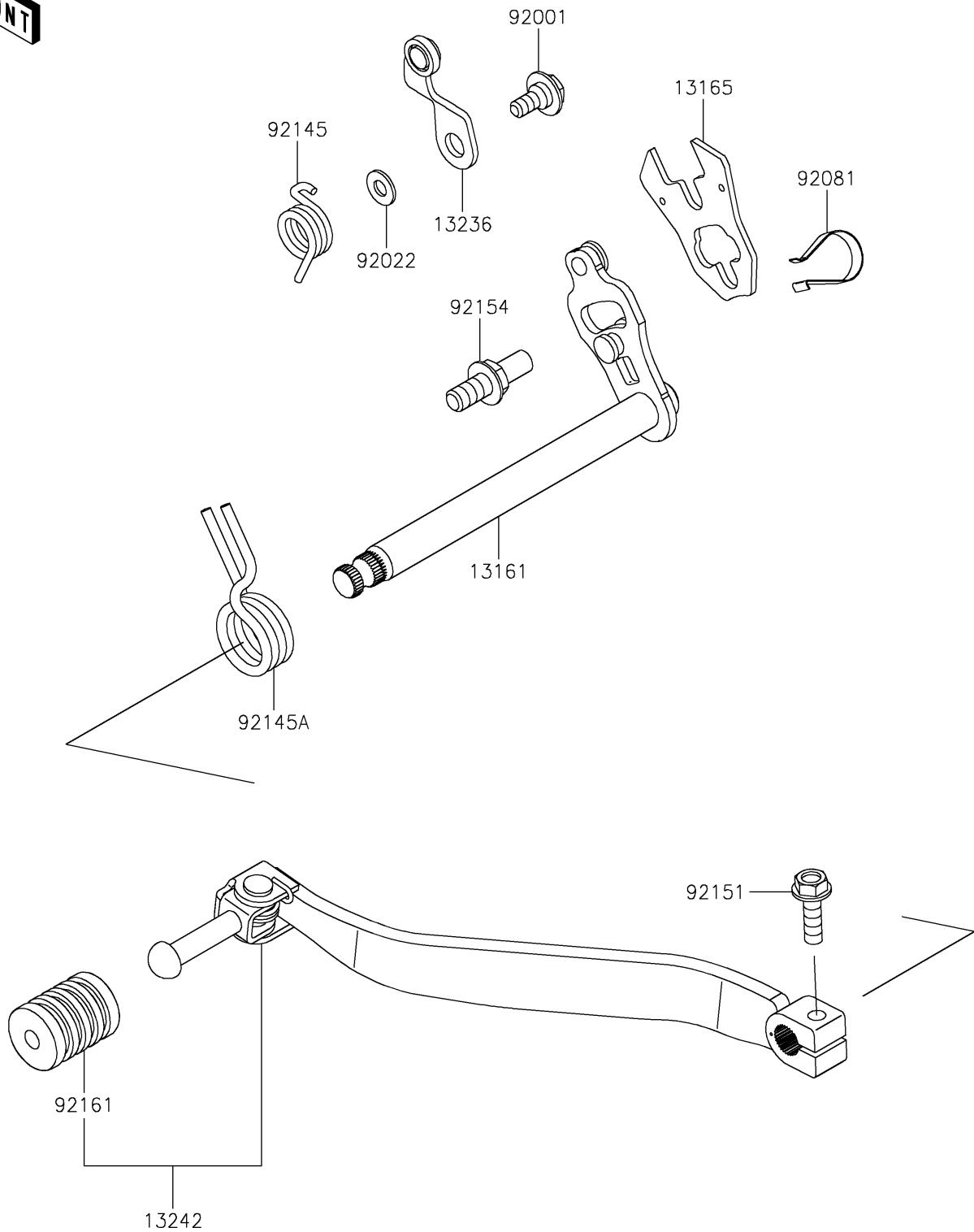


# 2026 KLR® 650 ADVENTURE ABS

## PARTS DIAGRAM

### Gear Change Mechanism

E1370



# 2026 KLR<sup>®</sup> 650 ADVENTURE ABS

## PARTS LIST

### Gear Change Mechanism

ITEM NAME	PART NUMBER	QUANTITY
-----------	-------------	----------

---