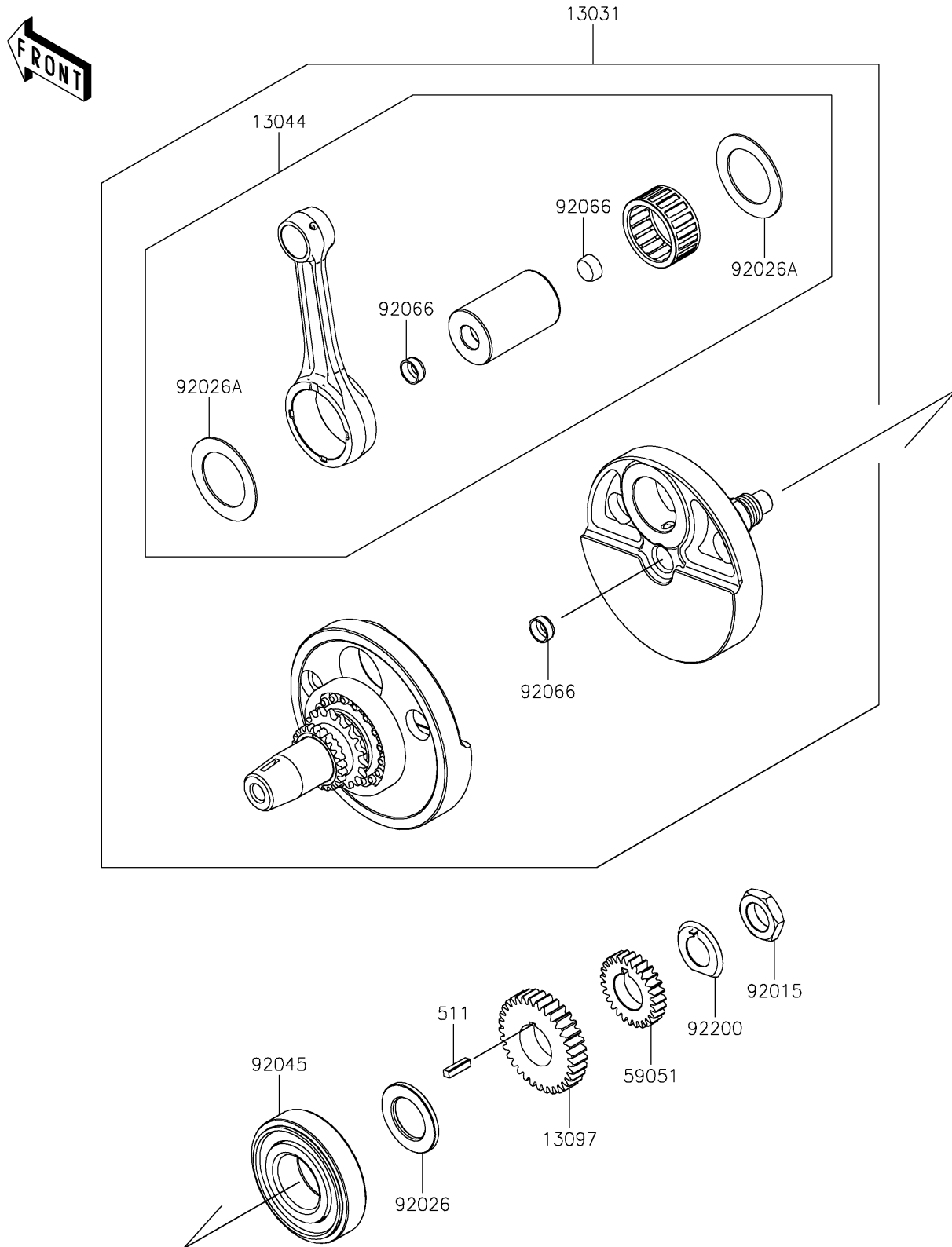


2026 KLR[®] 650 ADVENTURE ABS

PARTS DIAGRAM

Crankshaft

E1321



2026 KLR[®] 650 ADVENTURE ABS

PARTS LIST

Crankshaft

ITEM NAME	PART NUMBER	QUANTITY
-----------	-------------	----------
