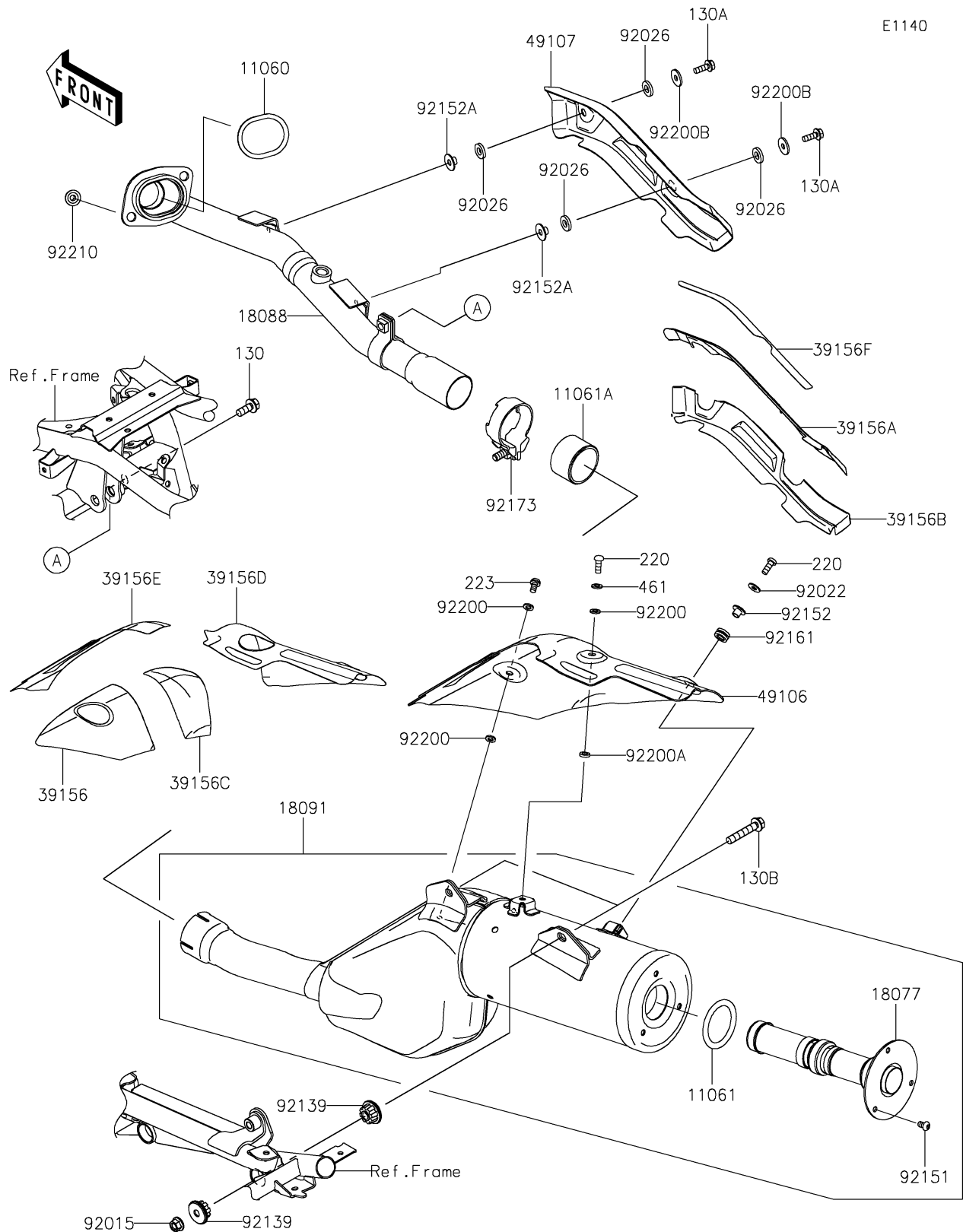


# 2026 KLR® 650 ADVENTURE ABS

## PARTS DIAGRAM

### Muffler(s)



# 2026 KLR<sup>®</sup> 650 ADVENTURE ABS

## PARTS LIST

Muffler(s)

**ITEM NAME**

**PART NUMBER**

**QUANTITY**

---