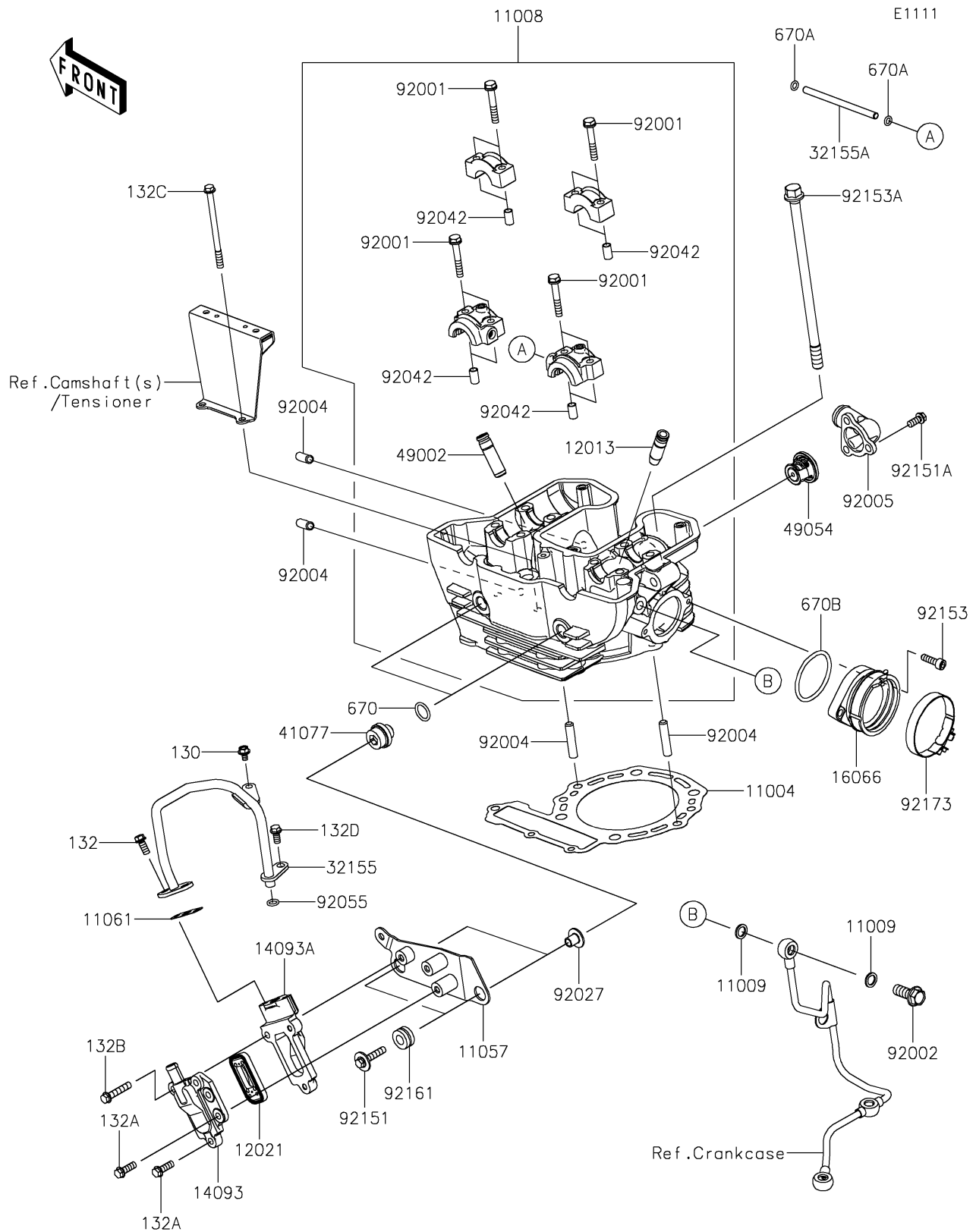


# 2026 KLR® 650 ADVENTURE ABS

## PARTS DIAGRAM

### Cylinder Head



# 2026 KLR<sup>®</sup> 650 ADVENTURE ABS

## PARTS LIST

### Cylinder Head

| ITEM NAME | PART NUMBER | QUANTITY |
|-----------|-------------|----------|
|-----------|-------------|----------|

---