

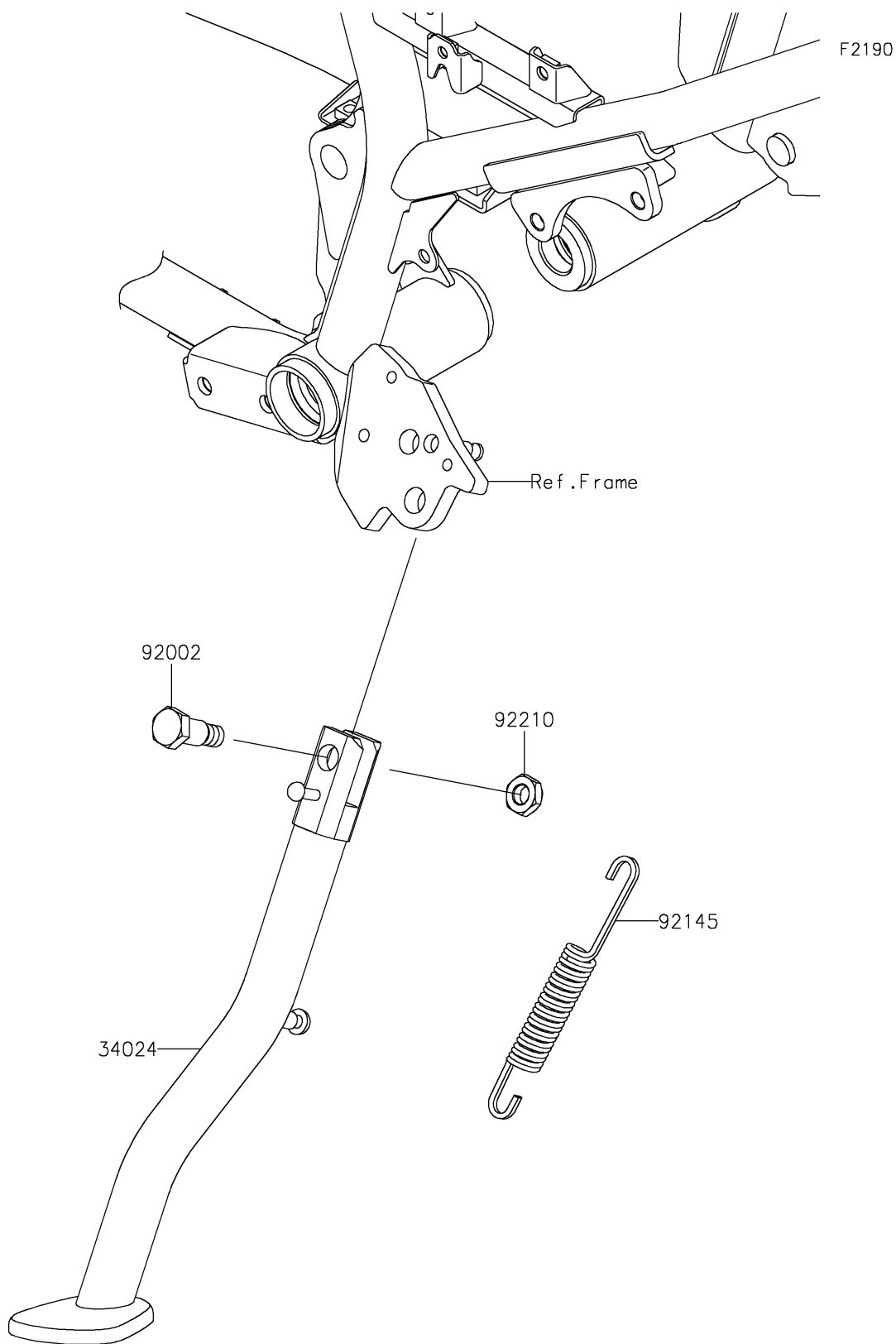
# 2026 KLR<sup>®</sup> 650

## PARTS DIAGRAM

### Stand(s)

**Kawasaki**

Let the Good Times Roll<sup>®</sup>



# 2026 KLR<sup>®</sup> 650

## PARTS LIST

### Stand(s)

ITEM NAME	PART NUMBER	QUANTITY
STAND-SIDE,F.S.BLACK (Ref # 34024)	34024-0171-18R	1
BOLT,SIDE STAND (Ref # 92002)	92002-1813	1
SPRING,SIDE STAND (Ref # 92145)	92145-0085	1
NUT,LOCK,10MM (Ref # 92210)	92210-1184	1