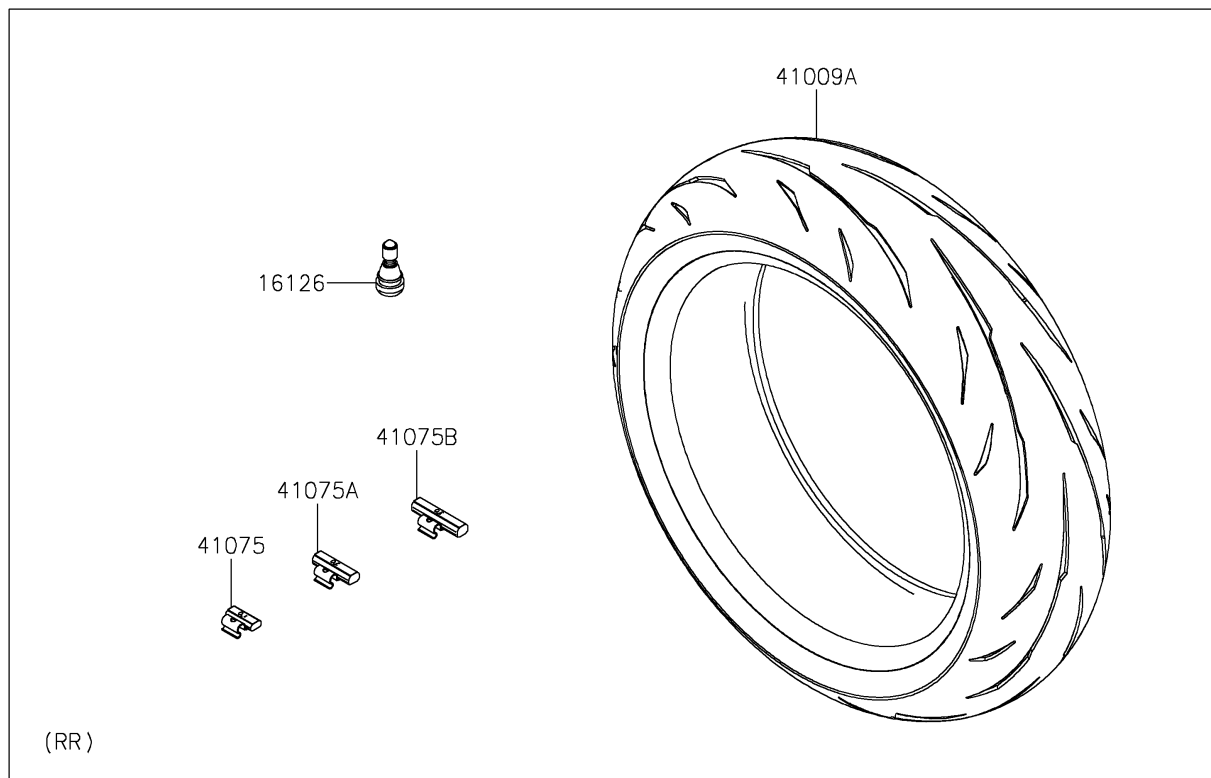
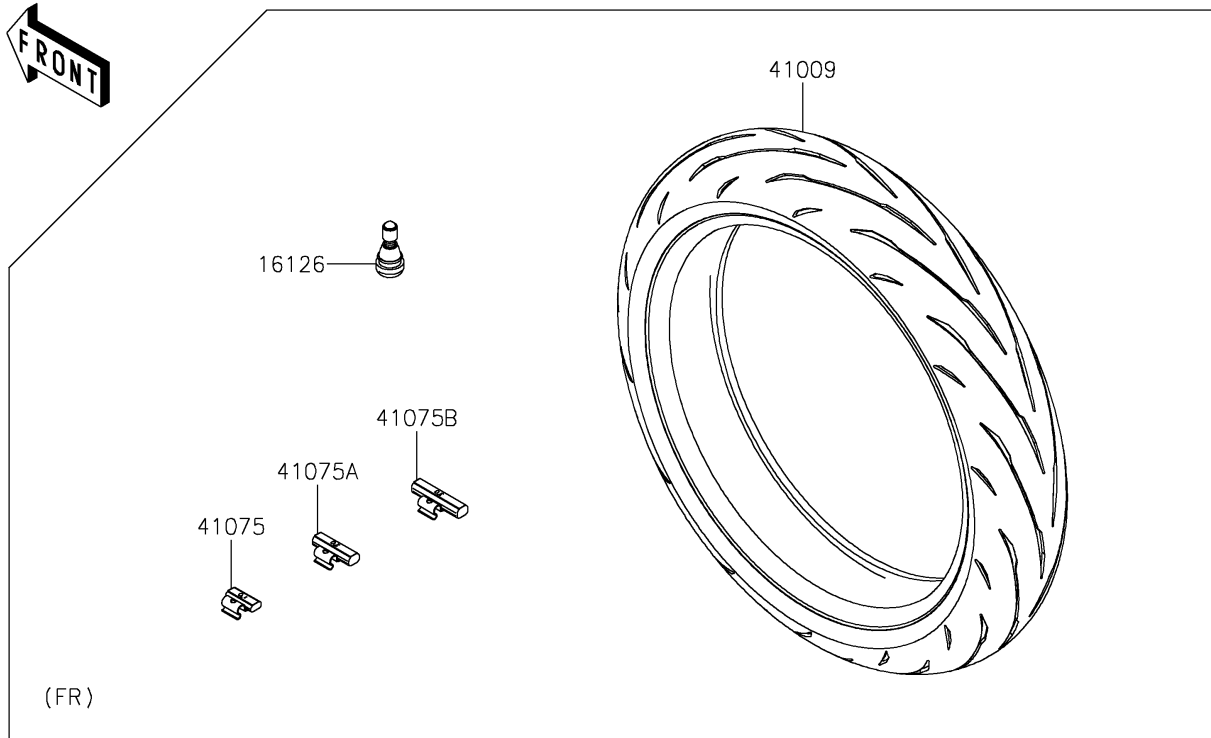


# 2026 Z900 SE ABS

## PARTS DIAGRAM

### Tires

F2210



# 2026 Z900 SE ABS

## PARTS LIST

Tires

**ITEM NAME**

**PART NUMBER**

**QUANTITY**

---