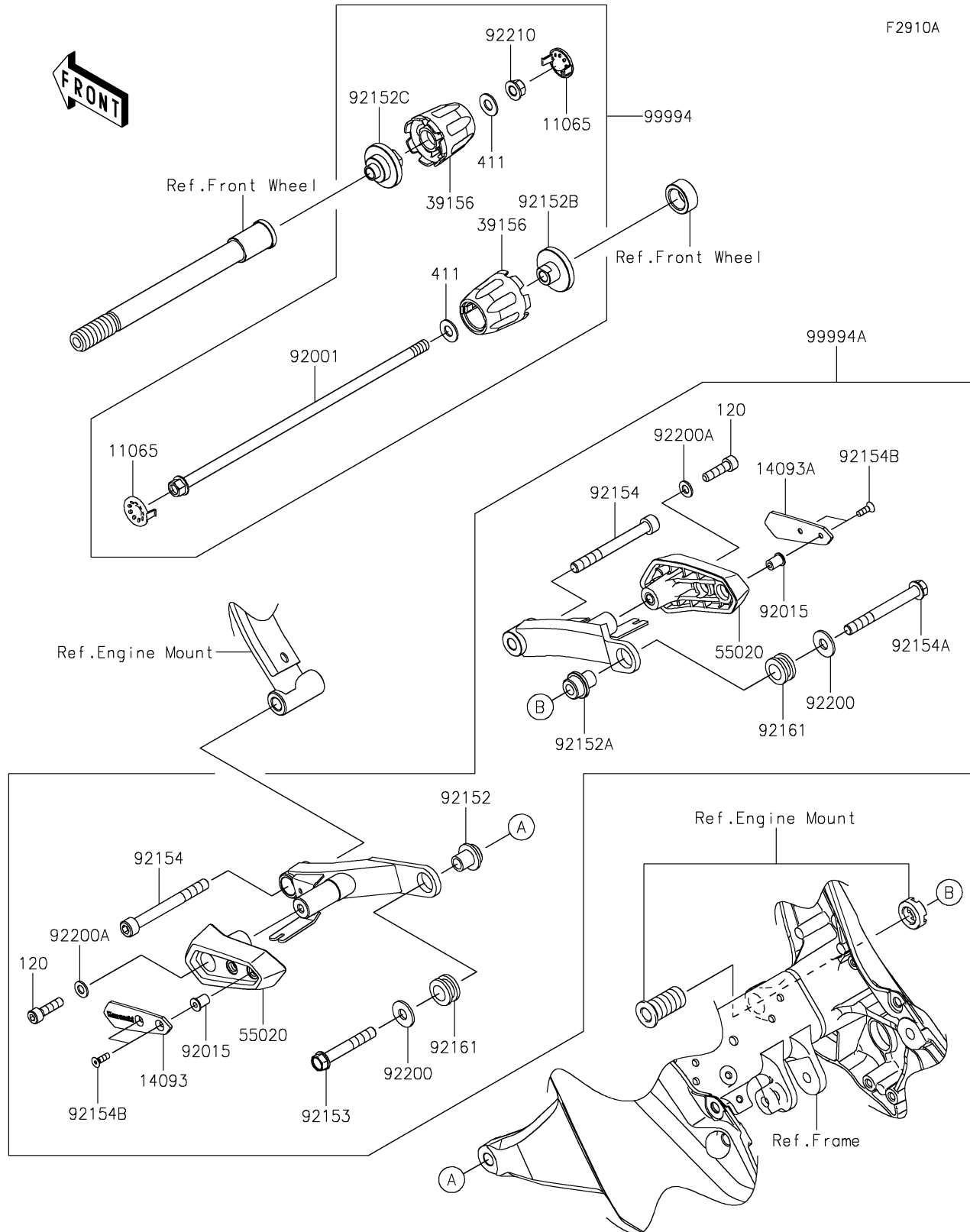


# 2025 Ninja 1100SX SE

## PARTS DIAGRAM

### Accessory(Slider)



# 2025 Ninja 1100SX SE

## PARTS LIST

Accessory(Slider)

**ITEM NAME**

**PART NUMBER**

**QUANTITY**

---