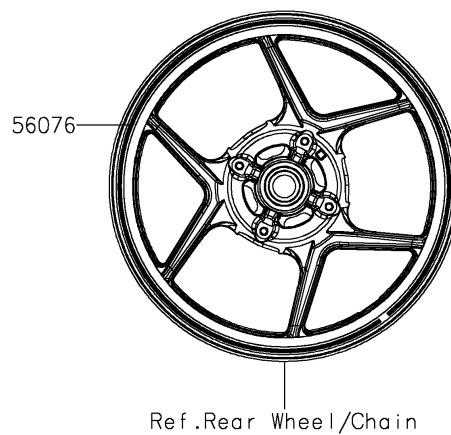
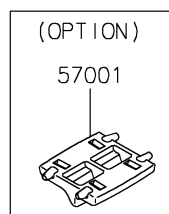
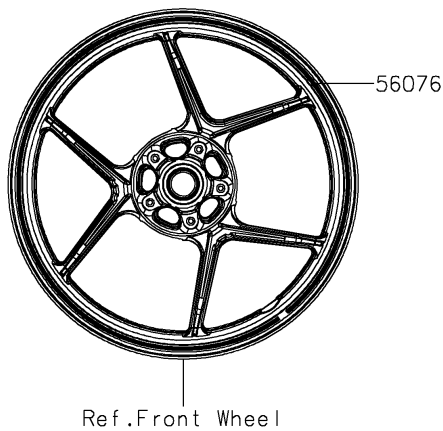
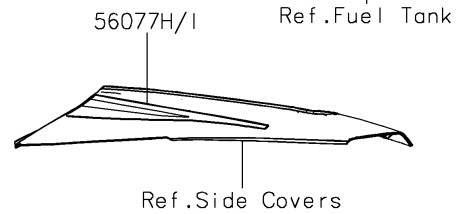
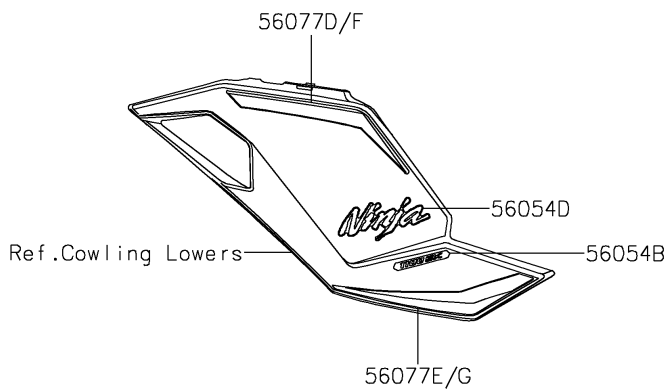
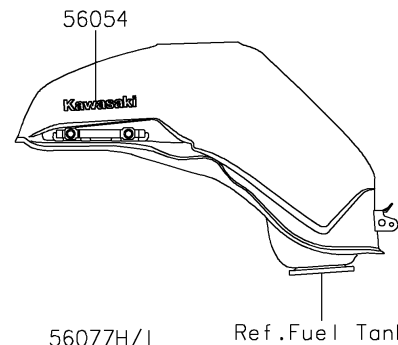
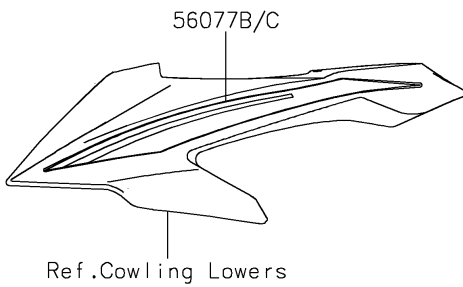
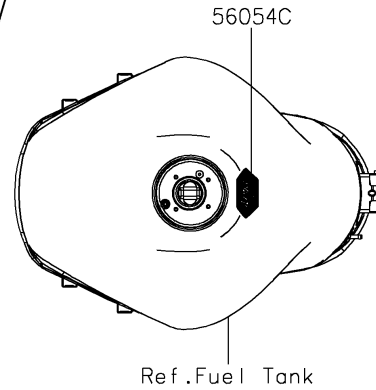
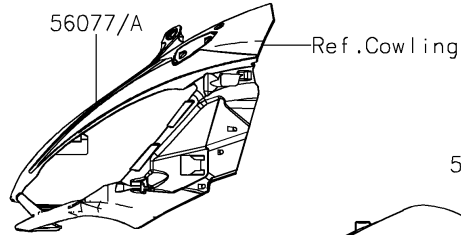
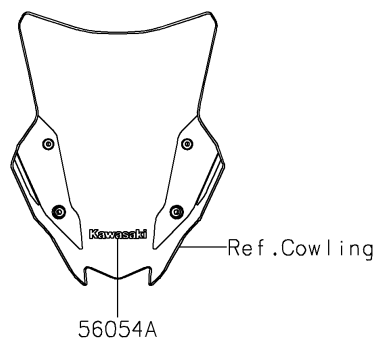


# 2025 Ninja 1100SX SE

## PARTS DIAGRAM

Decals(Green)(JSFAN/JSFAL)

F2861



# 2025 Ninja 1100SX SE

## PARTS LIST

Decals(Green)(JSFAN/JSFAL)

**ITEM NAME**

**PART NUMBER**

**QUANTITY**

---