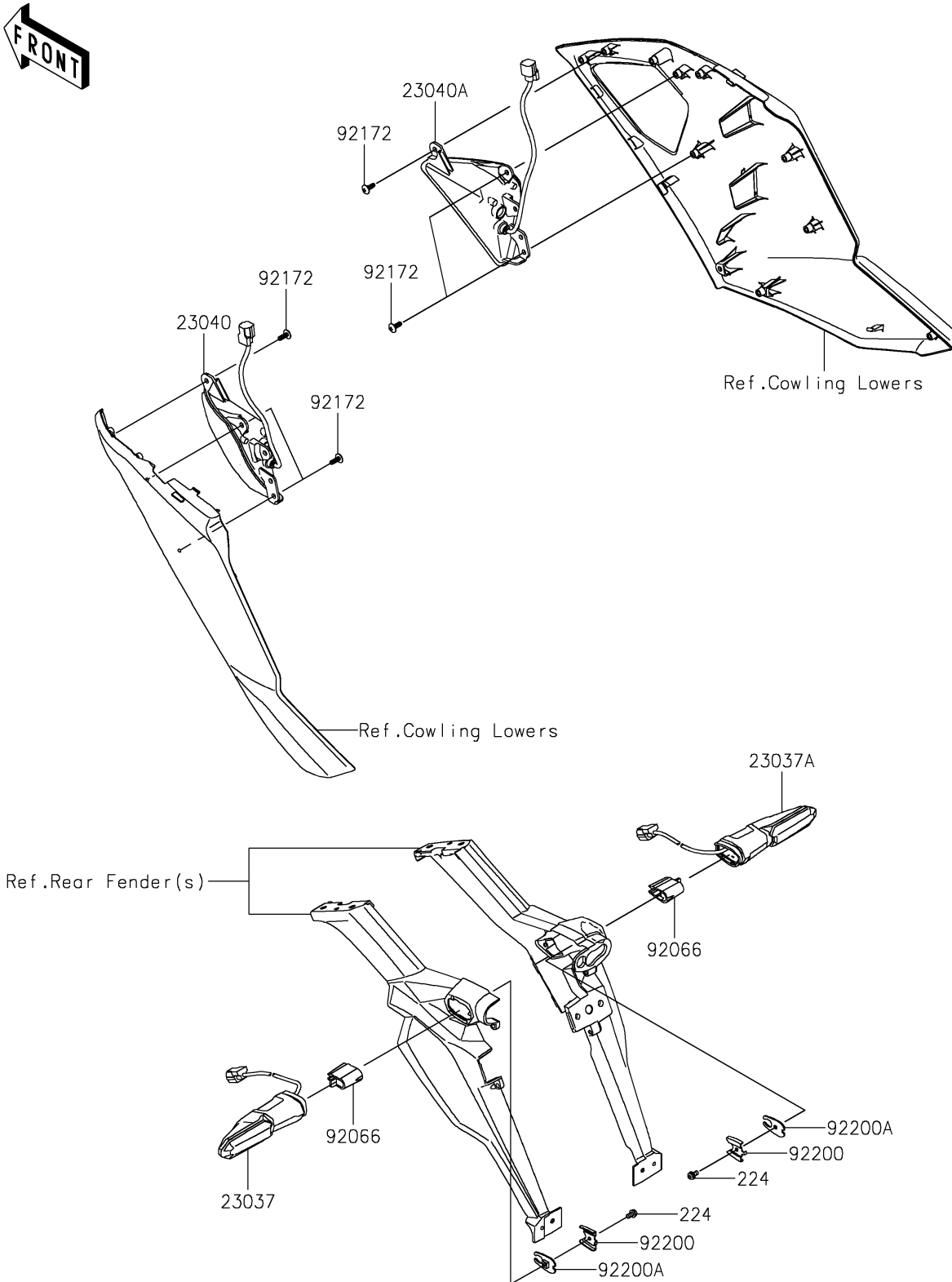


# 2025 NINJA® 1100SX SE ABS

## PARTS DIAGRAM

### Turn Signals

F2730



# 2025 NINJA® 1100SX SE ABS

## PARTS LIST

### Turn Signals

ITEM NAME	PART NUMBER	QUANTITY
LAMP-ASSY-SIGNAL,LED,RR,LH (Ref # 23037)	23037-0555	1
LAMP-ASSY-SIGNAL,LED,RR,RH (Ref # 23037A)	23037-0556	1
LAMP-SIGNAL,LED,FR,LH (Ref # 23040)	23040-0157	1
LAMP-SIGNAL,LED,FR,RH (Ref # 23040A)	23040-0158	1
PLUG,SIGNAL LAMP (Ref # 92066)	92066-0919	2
SCREW,TAPPING,5X14 (Ref # 92172)	92172-0265	6
WASHER (Ref # 92200)	92200-0855	2
WASHER (Ref # 92200A)	92200-2268	2
SCREW-PAN-WP-CROS,4X8 (Ref # 224)	224AB0408	2