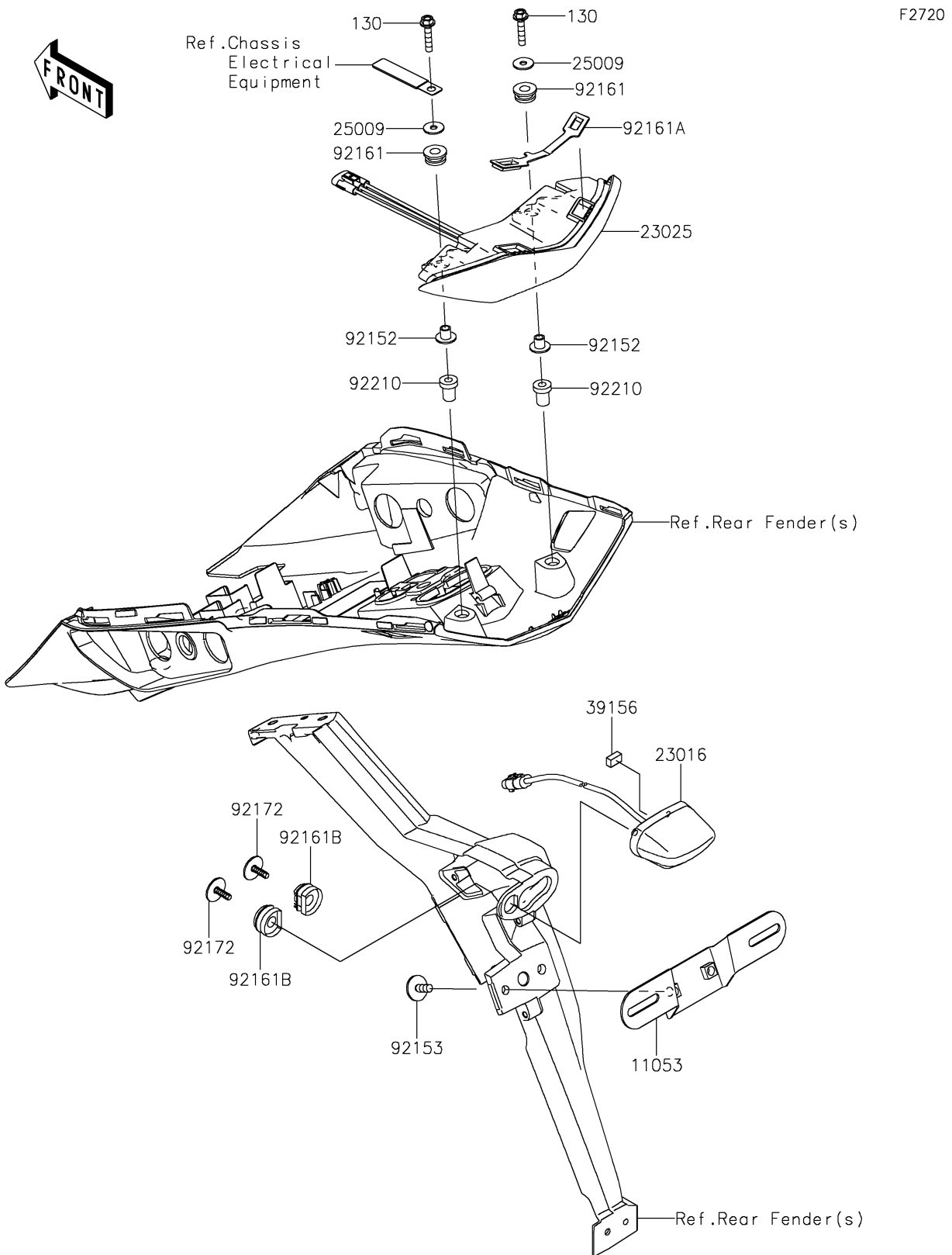


2025 NINJA® 1100SX SE ABS

PARTS DIAGRAM

Taillight(s)



2025 NINJA® 1100SX SE ABS

PARTS LIST

Taillight(s)

ITEM NAME	PART NUMBER	QUANTITY
BRACKET,LICENSE (Ref # 11053)	11053-0400	1
LAMP-ASSY,LICENSE,LED (Ref # 23016)	23016-0639	1
LAMP-TAIL (Ref # 23025)	23025-0348	1
WASHER,5.2X16X1.2 (Ref # 25009)	25009-004	2
PAD,7X12X5 (Ref # 39156)	39156-2292	1
COLLAR (Ref # 92152)	92152-0092	2
BOLT,6X16 (Ref # 92153)	92153-1423	2
DAMPER (Ref # 92161)	92161-0317	2
DAMPER,TAIL LAMP (Ref # 92161A)	92161-0808	1
DAMPER (Ref # 92161B)	92161-2128	2
SCREW,TAPTITE,5X16 (Ref # 92172)	92172-0481	2
NUT,5MM (Ref # 92210)	92210-0001	2
BOLT-FLANGED,5X25 (Ref # 130)	130BA0525	2