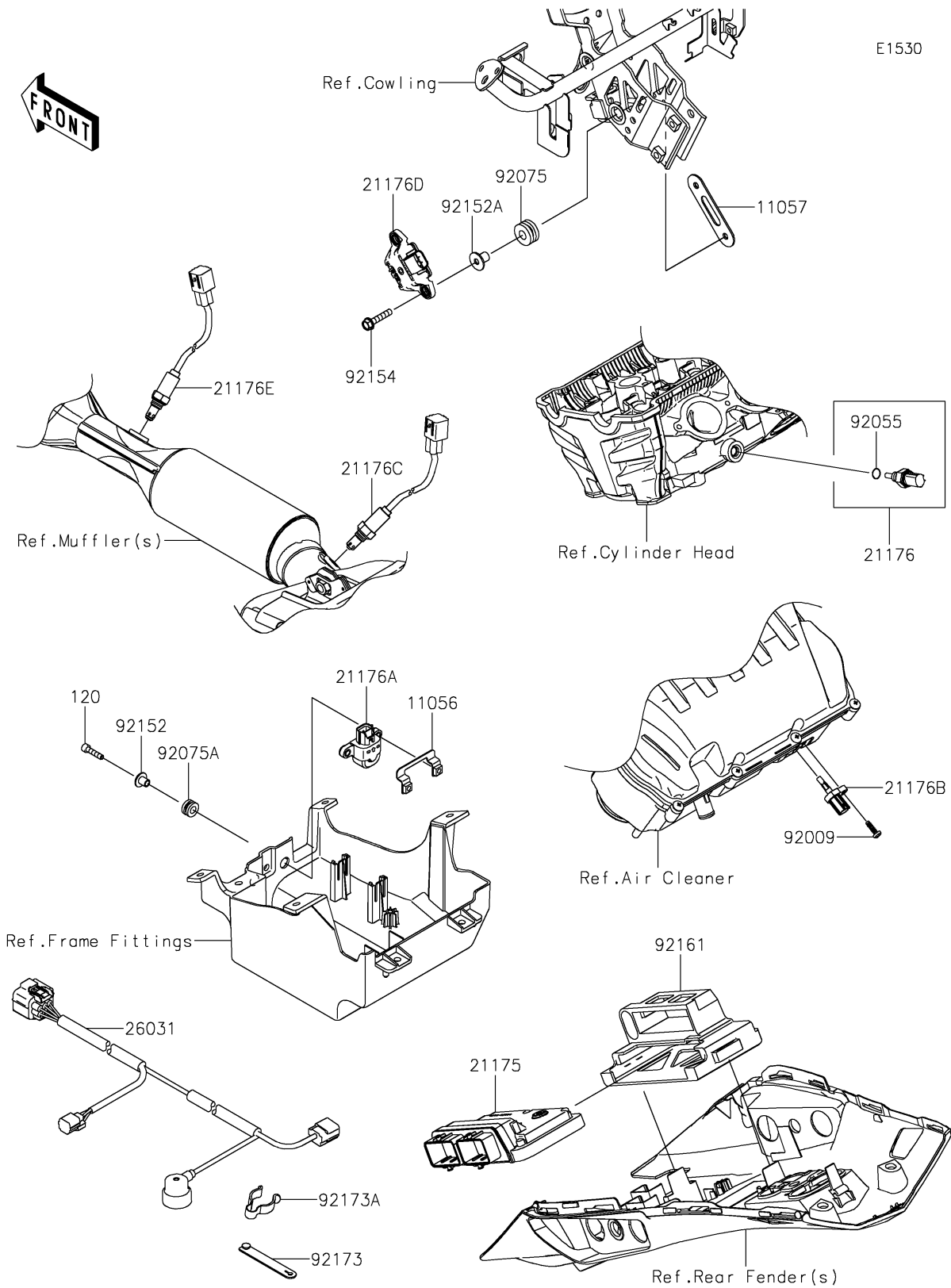


2025 NINJA® 1100SX SE ABS

PARTS DIAGRAM

Fuel Injection



2025 NINJA® 1100SX SE ABS

PARTS LIST

Fuel Injection

ITEM NAME	PART NUMBER	QUANTITY
BRACKET (Ref # 11056)	11056-0124	1
BRACKET,SENSOR (Ref # 11057)	11057-0381	1
CONTROL UNIT-ELECTRONIC (Ref # 21175)	21175-2218	1
SENSOR,WATER TEMP (Ref # 21176)	21176-0009	1
SENSOR,VEHICLE-DOWN (Ref # 21176A)	21176-0026	1
SENSOR,AIR TEMPERATURE (Ref # 21176B)	21176-0048	1
SENSOR,OXYGEN (Ref # 21176C)	21176-0932	1
SENSOR,GYRO (Ref # 21176D)	21176-1126	1
SENSOR,OXYGEN (Ref # 21176E)	21176-1205	1
HARNESS,SUB (Ref # 26031)	26031-4167	1
SCREW,TAPPING,5X16 (Ref # 92009)	92009-1984	1
RING-O,9.5X1.9 (Ref # 92055)	92055-0016	1
DAMPER,10X24X12 (Ref # 92075)	92075-1690	2
DAMPER (Ref # 92075A)	92075-1912	2
COLLAR (Ref # 92152)	92152-0134	2
COLLAR,6.3X9.5X14.1 (Ref # 92152A)	92152-1847	2
BOLT,FLANGED,6X30 (Ref # 92154)	92154-1857	2
DAMPER,ECU (Ref # 92161)	92161-2261	1
CLAMP (Ref # 92173)	92173-2194	1
CLAMP (Ref # 92173A)	92173-2419	1
BOLT-SOCKET,5X25 (Ref # 120)	120CA0525	2