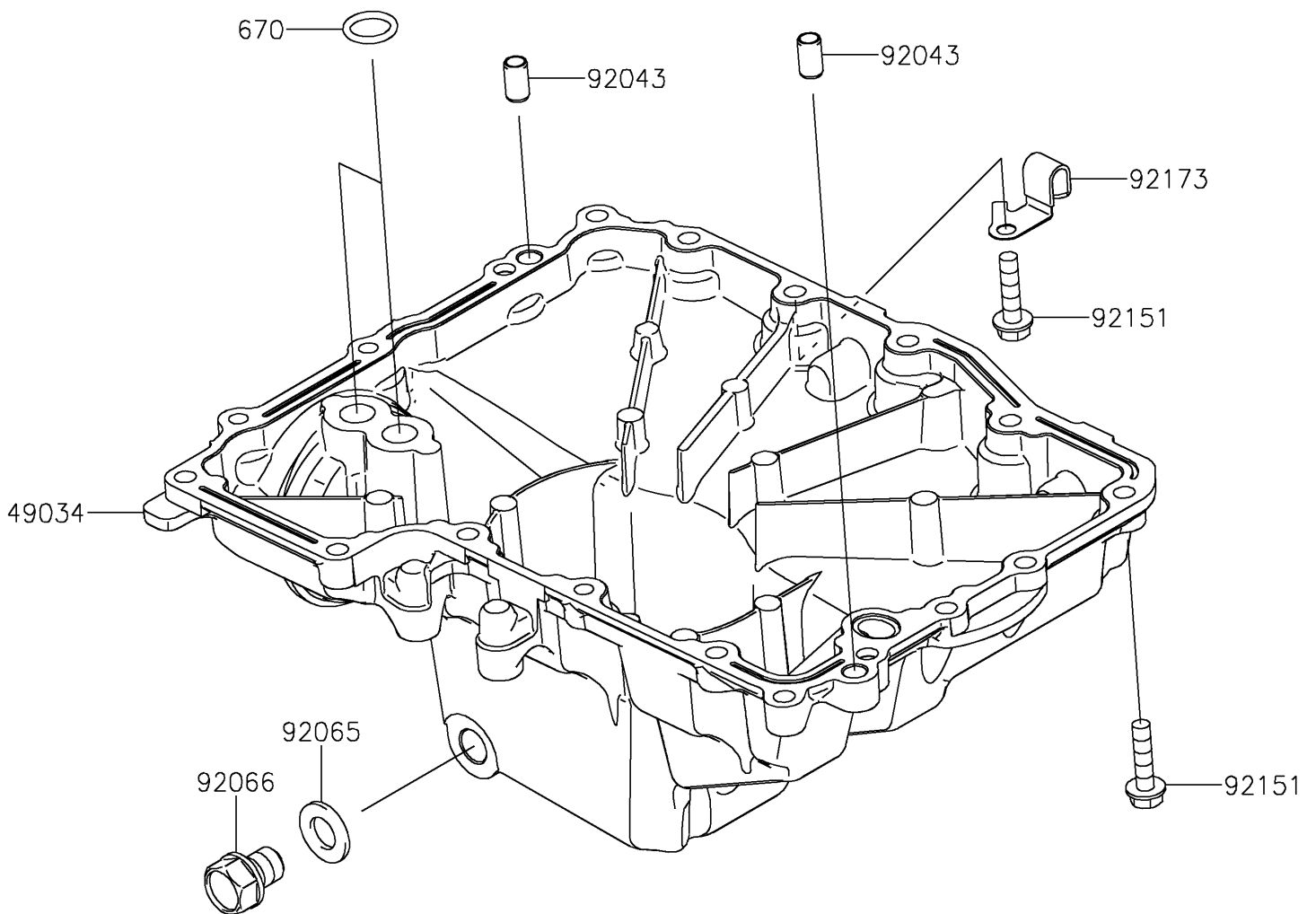


2025 NINJA® 1100SX SE ABS

PARTS DIAGRAM

Oil Pan

E1434



2025 NINJA® 1100SX SE ABS

PARTS LIST

Oil Pan

ITEM NAME	PART NUMBER	QUANTITY
PAN-OIL (Ref # 49034)	49034-0578	1
PIN,6.2X8X14 (Ref # 92043)	92043-1263	2
GASKET,12X22X2 (Ref # 92065)	92065-097	1
PLUG,12X15 (Ref # 92066)	92066-0079	1
BOLT,FLANGED,6X25 (Ref # 92151)	92151-1225	18
CLAMP,OIL PAN (Ref # 92173)	92173-1917	1
O RING,14MM (Ref # 670)	670D2014	2