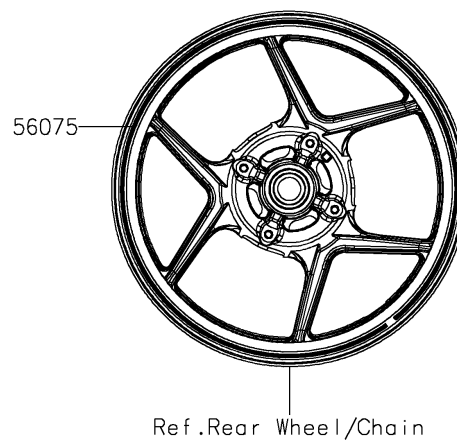
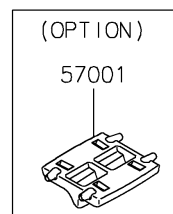
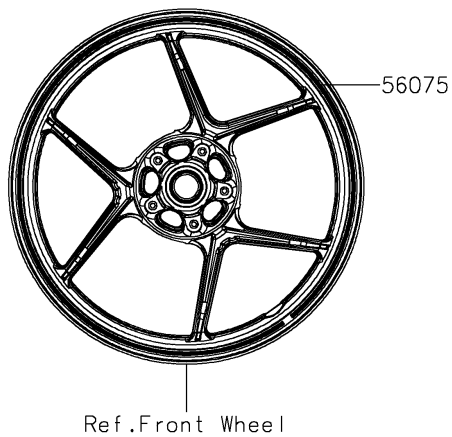
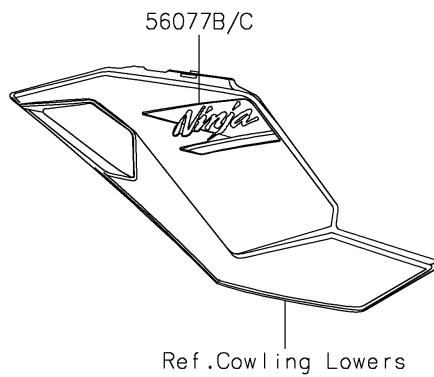
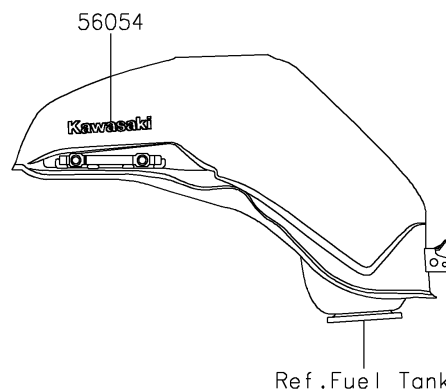
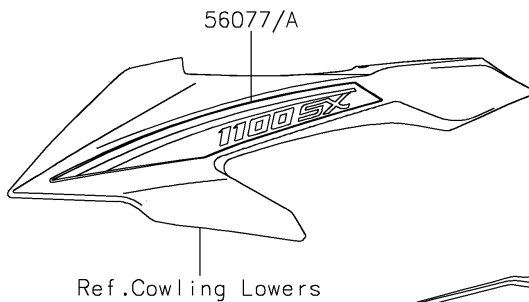
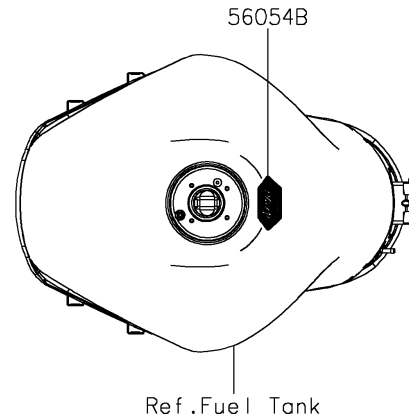
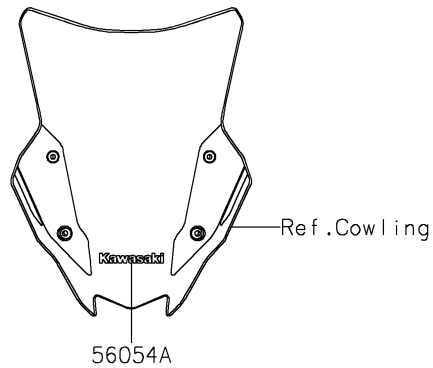


# 2025 NINJA® 1100SX ABS

## PARTS DIAGRAM

### Decals(HSFNN/HSFNL)

F2861



# 2025 NINJA® 1100SX ABS

## PARTS LIST

Decals(HSFNN/HSFNL)

**ITEM NAME**

**PART NUMBER**

**QUANTITY**

---