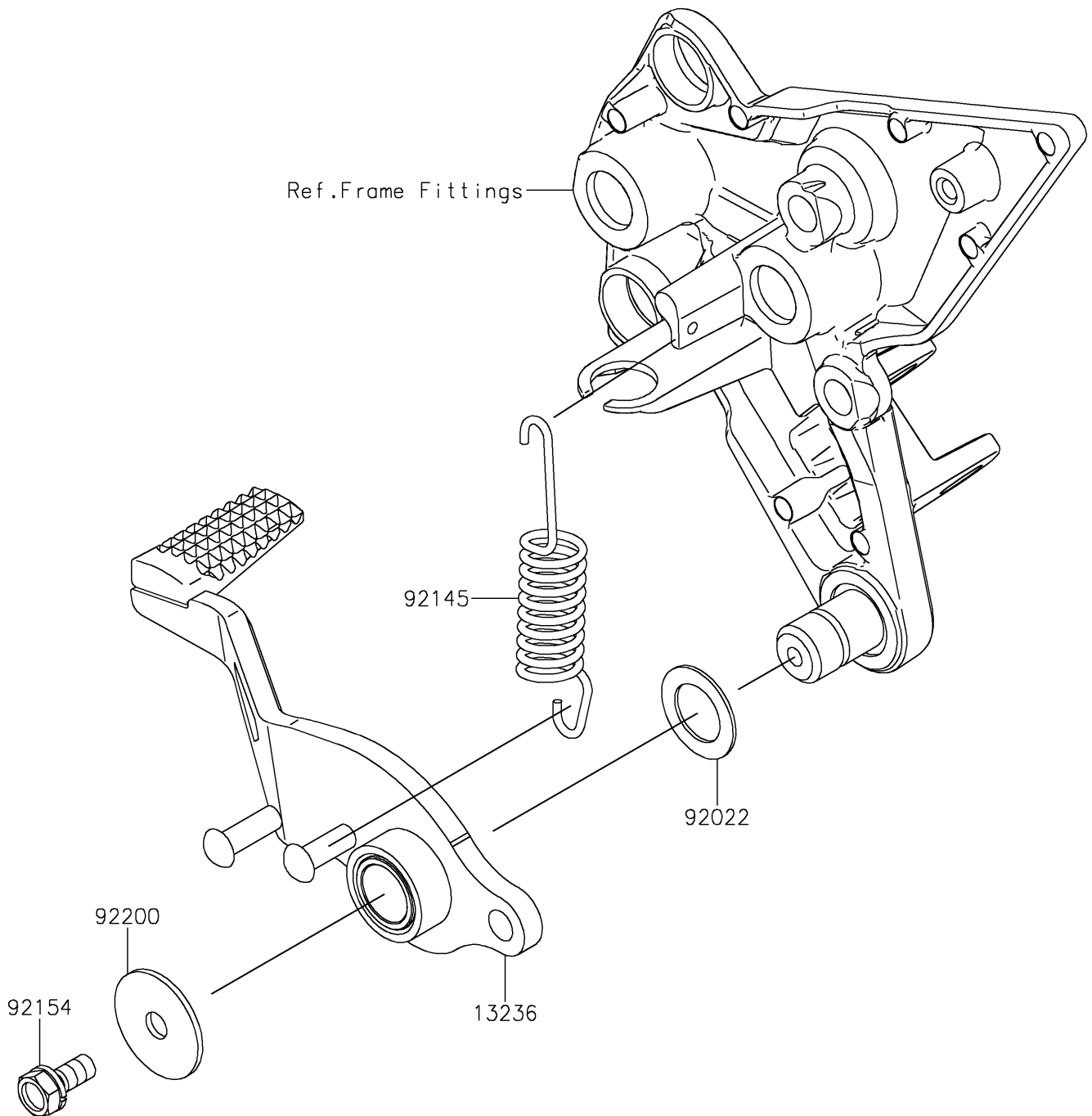


2025 NINJA® 1100SX ABS

PARTS DIAGRAM

Brake Pedal/Torque Link

F2260



2025 NINJA® 1100SX ABS

PARTS LIST

Brake Pedal/Torque Link

ITEM NAME	PART NUMBER	QUANTITY
-----------	-------------	----------
