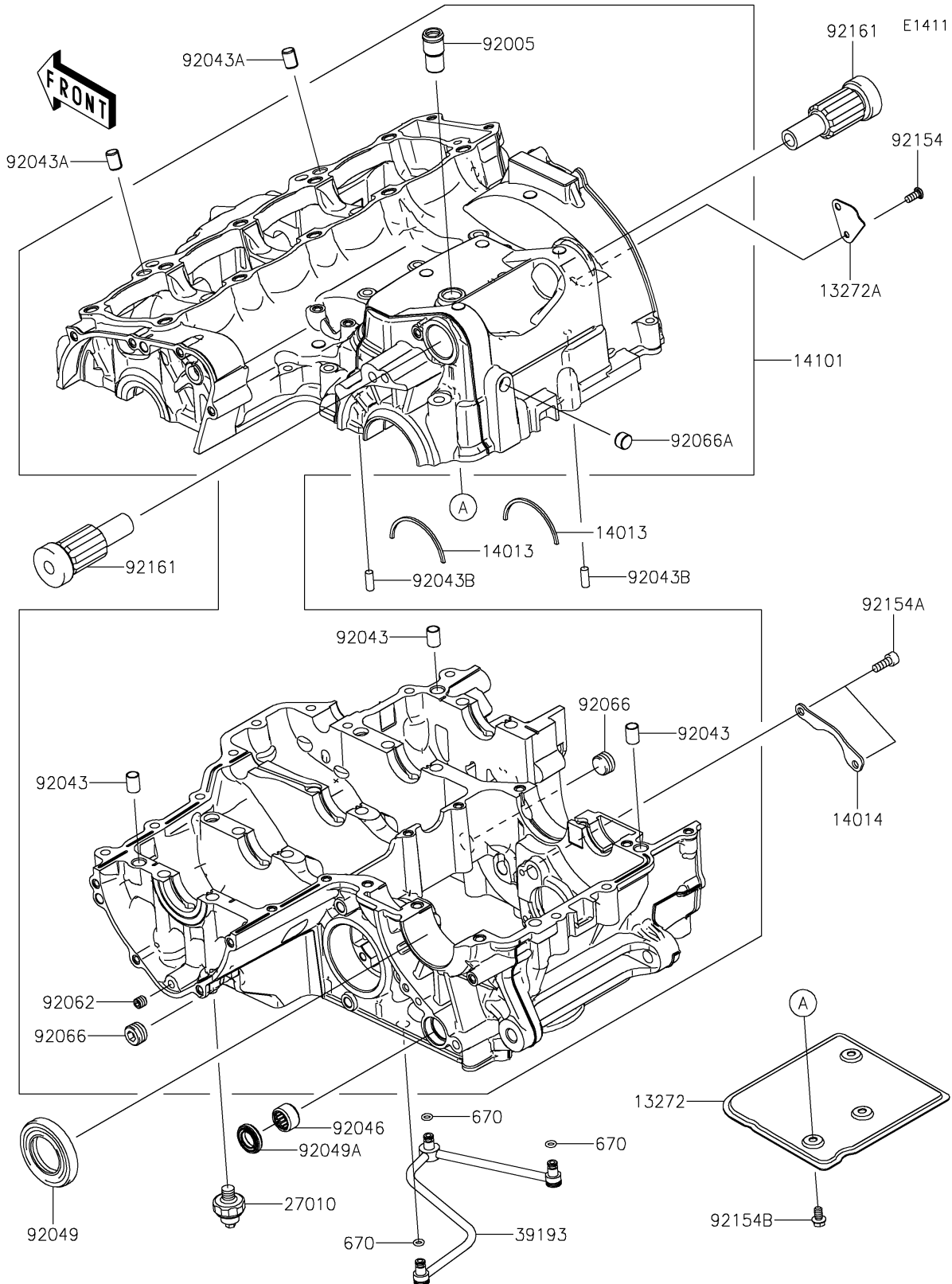


2025 NINJA® 1100SX ABS

PARTS DIAGRAM

Crankcase



2025 NINJA® 1100SX ABS

PARTS LIST

Crankcase

ITEM NAME

PART NUMBER

QUANTITY
