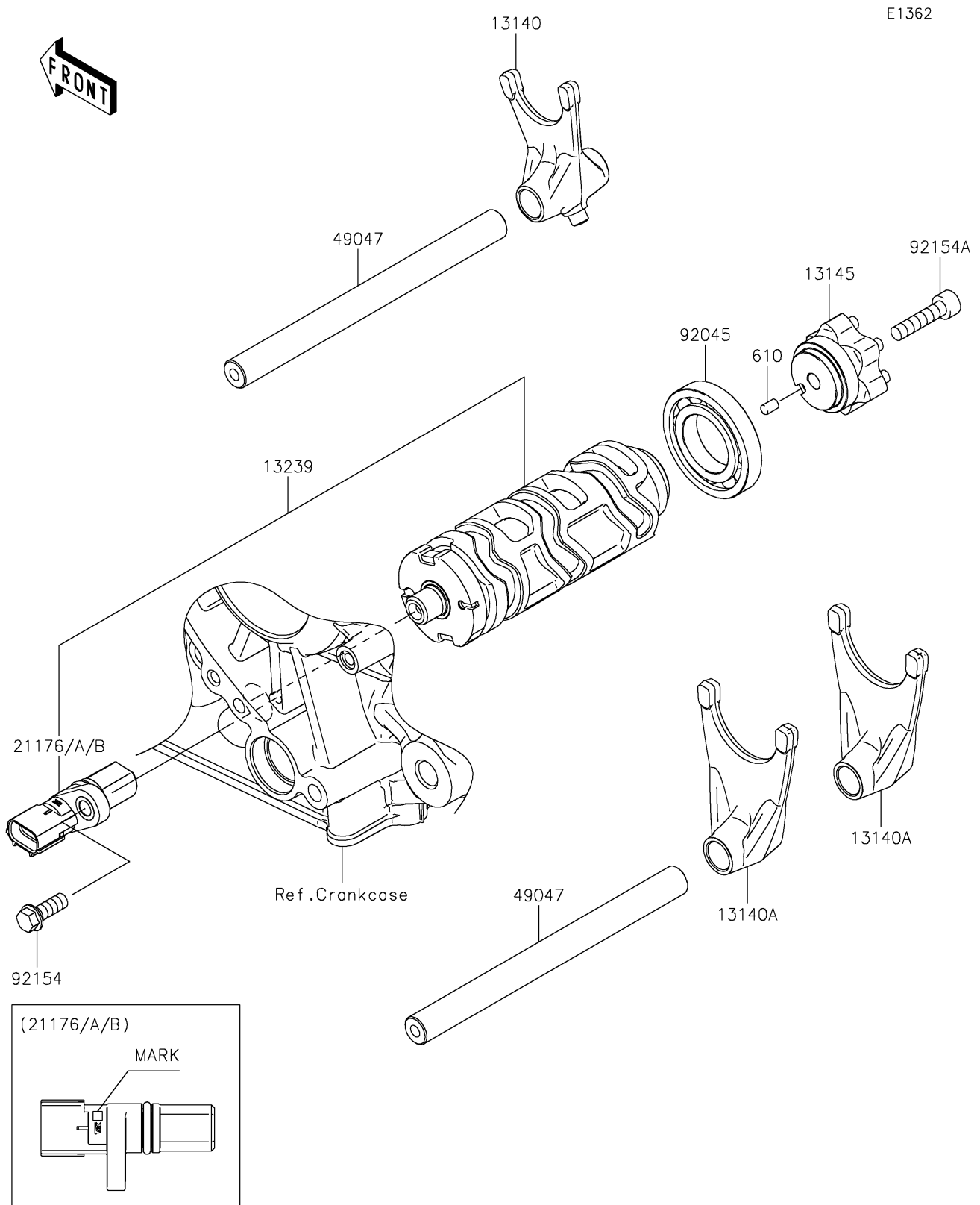


# 2025 NINJA® 1100SX ABS

## PARTS DIAGRAM

### Gear Change Drum/Shift Fork(s)



# 2025 NINJA® 1100SX ABS

## PARTS LIST

### Gear Change Drum/Shift Fork(s)

ITEM NAME	PART NUMBER	QUANTITY
-----------	-------------	----------

---