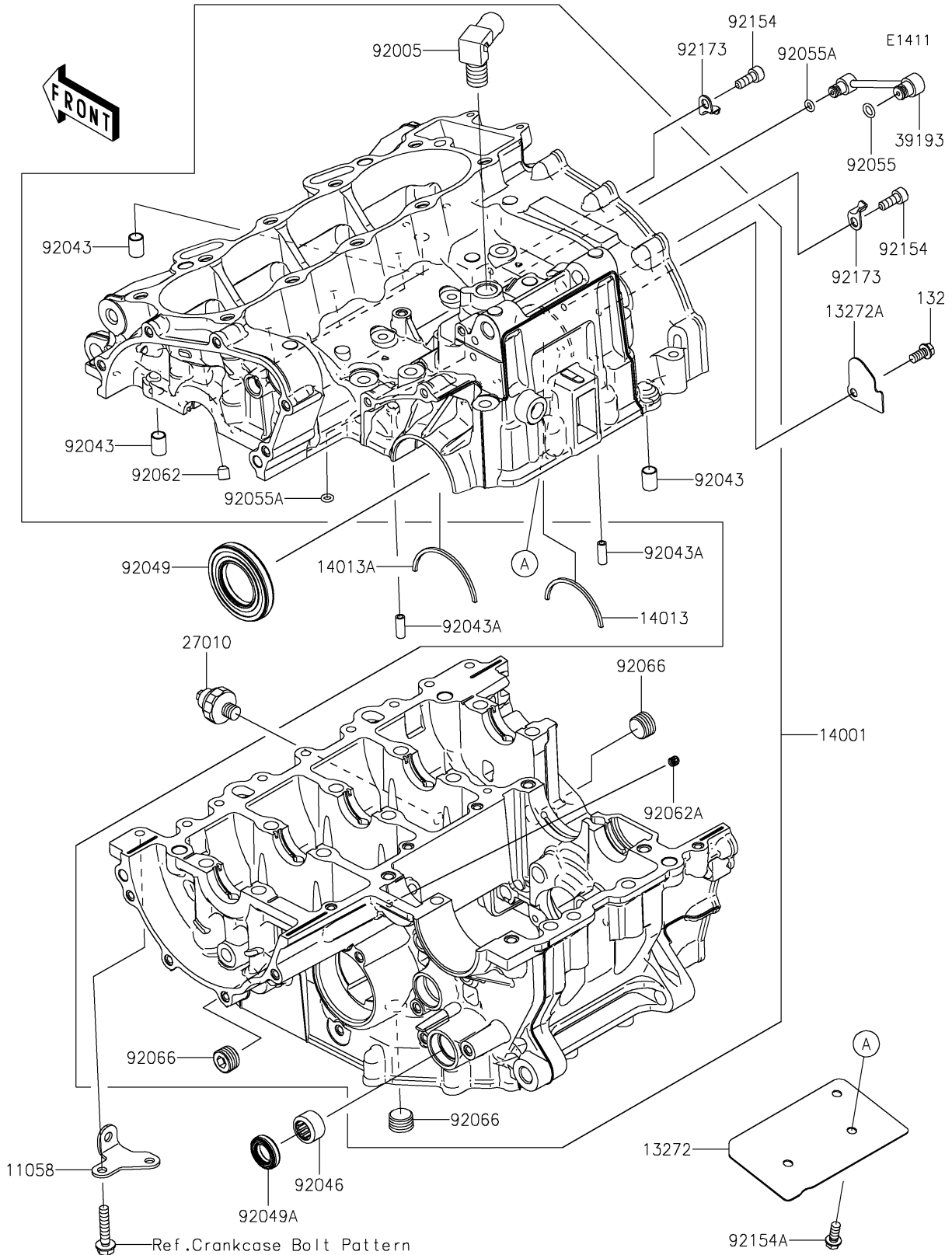


# 2026 NINJA® ZX™-4RR ABS

## PARTS DIAGRAM

### Crankcase



# 2026 NINJA<sup>®</sup> ZX<sup>™</sup>-4RR ABS

## PARTS LIST

### Crankcase

ITEM NAME	PART NUMBER	QUANTITY
-----------	-------------	----------

---