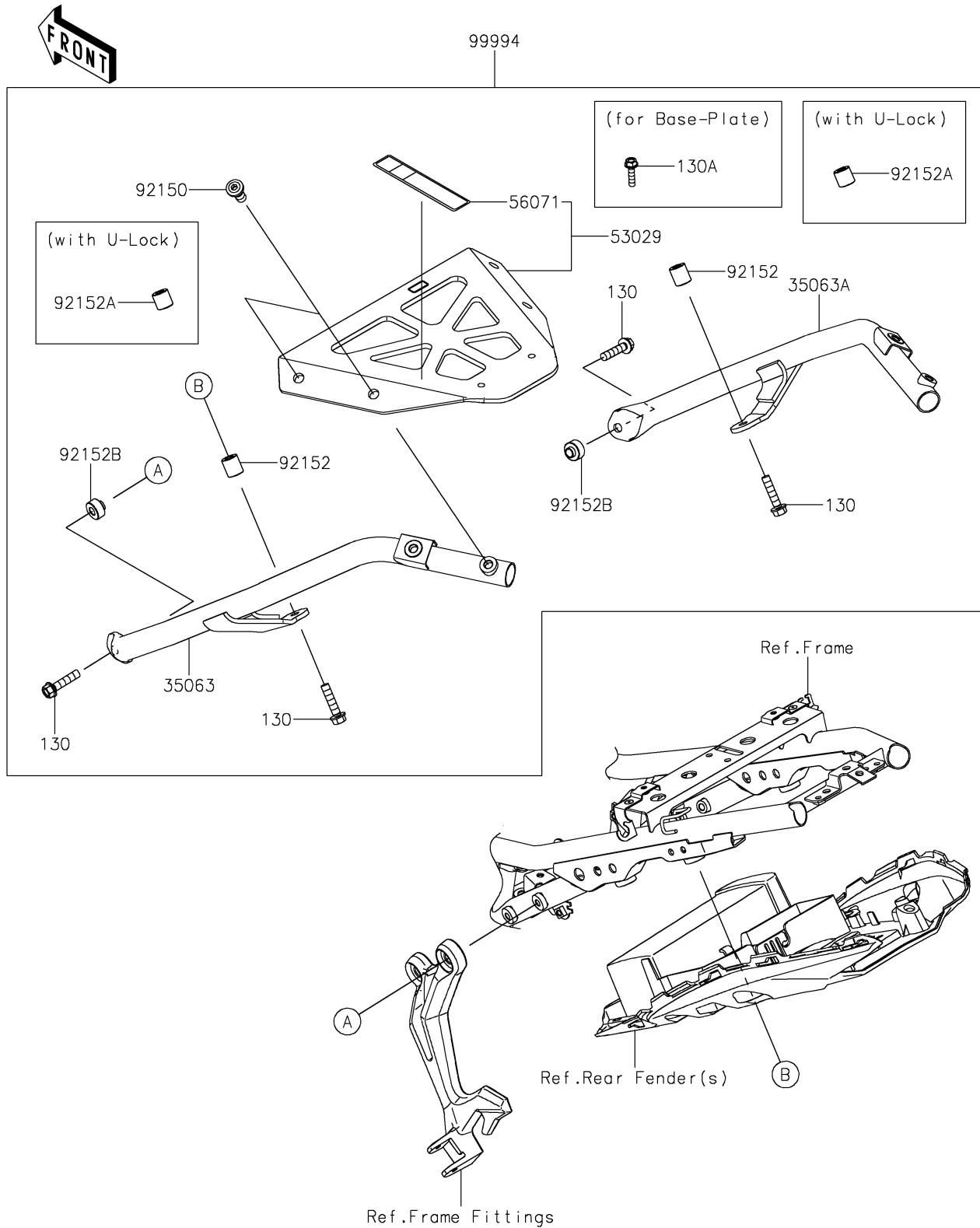


# 2026 NINJA® 650 ABS

## PARTS DIAGRAM

### Accessory(Topcase Bracket)

F2910G



# 2026 NINJA® 650 ABS

## PARTS LIST

Accessory(Topcase Bracket)

**ITEM NAME**

**PART NUMBER**

**QUANTITY**

---