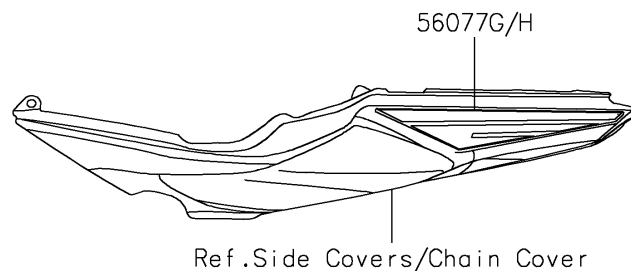
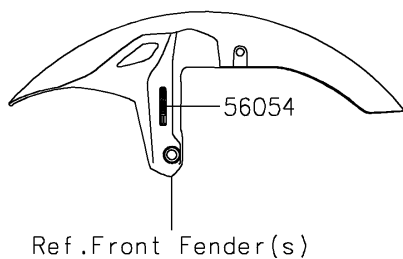
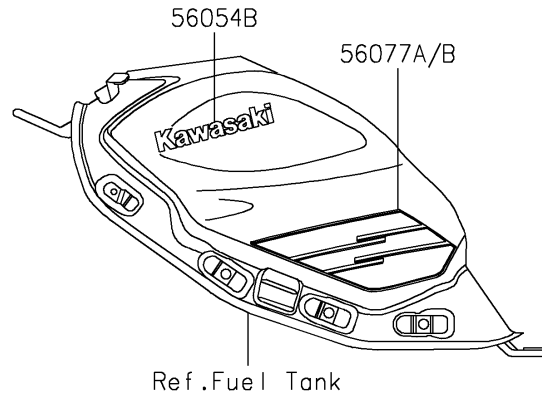
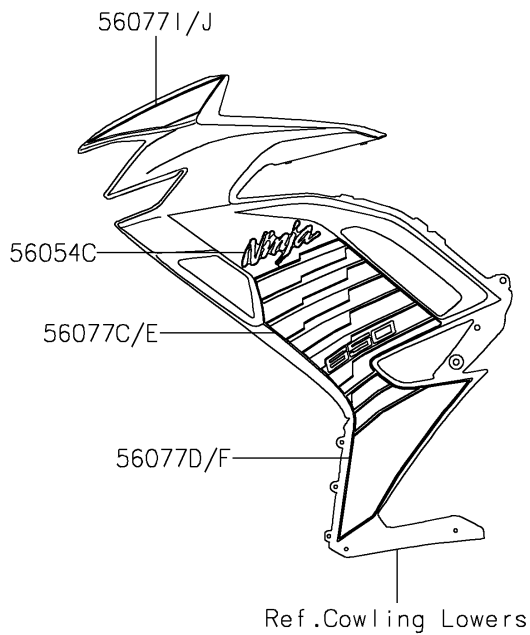
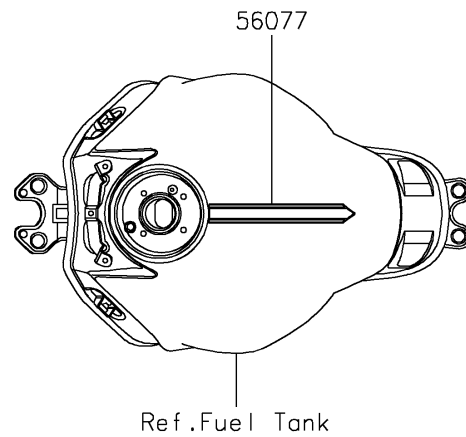
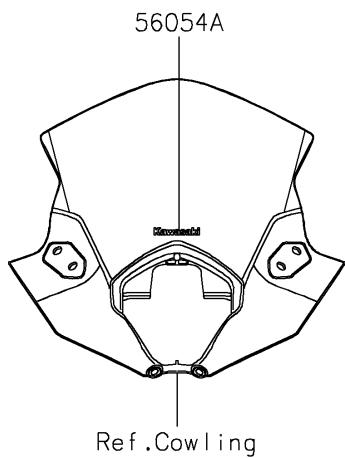


2026 NINJA® 650 ABS

PARTS DIAGRAM

Decals(M.Y.Green)(PTFAN/PTFAL)

F2861F



2026 NINJA® 650 ABS

PARTS LIST

Decals(M.Y.Green)(PTFAN/PTFAL)

ITEM NAME

PART NUMBER

QUANTITY
