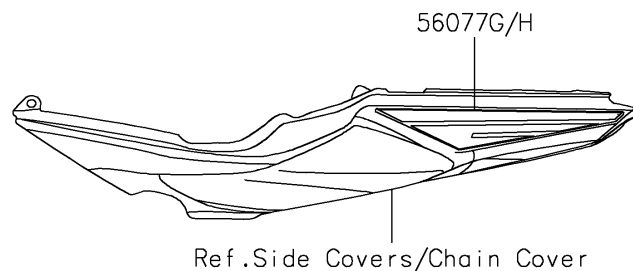
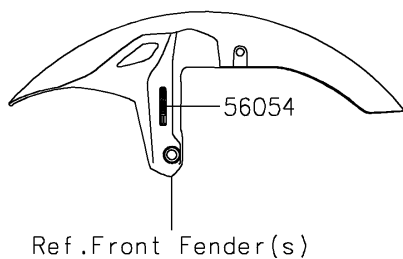
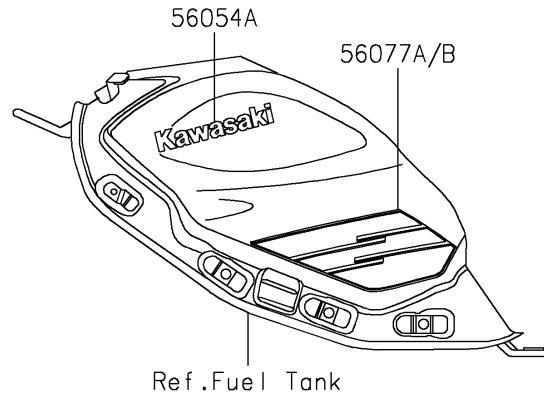
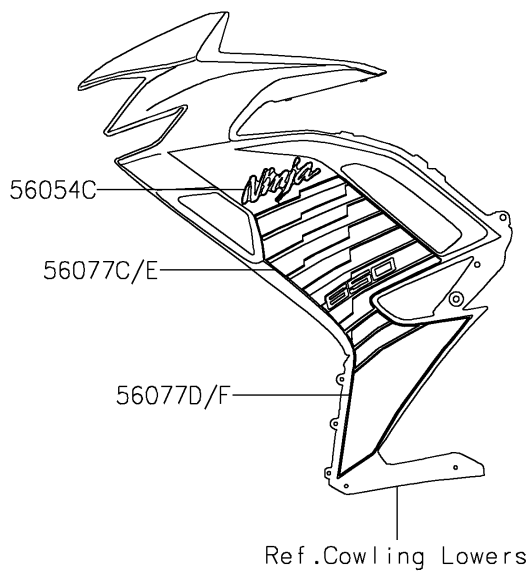
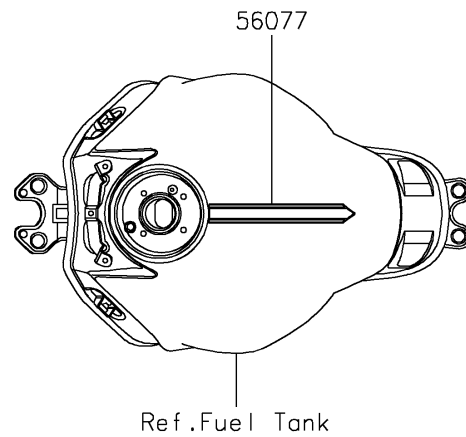
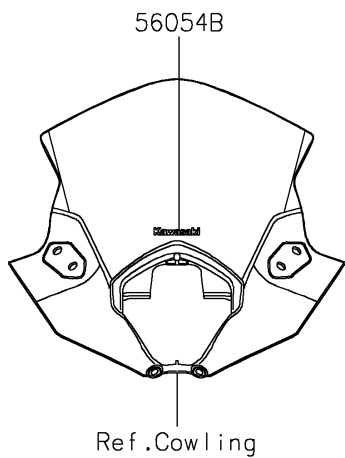


2026 NINJA® 650 ABS

PARTS DIAGRAM

Decals(M.M.W.Silver)(PTFAN/PTFAL)

F2861E



2026 NINJA® 650 ABS

PARTS LIST

Decals(M.M.W.Silver)(PTFAN/PTFAL)

ITEM NAME

PART NUMBER

QUANTITY
