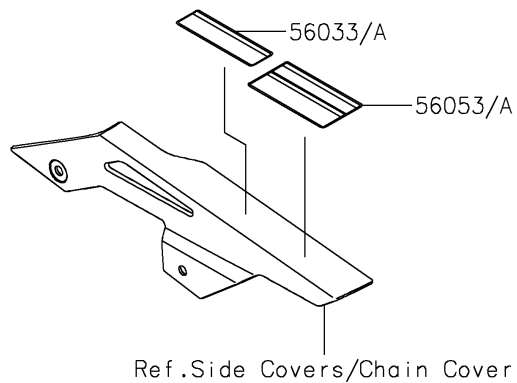
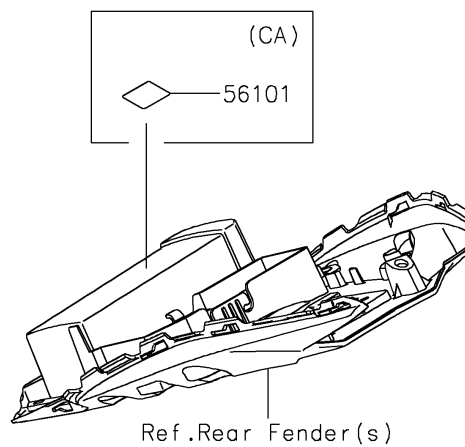
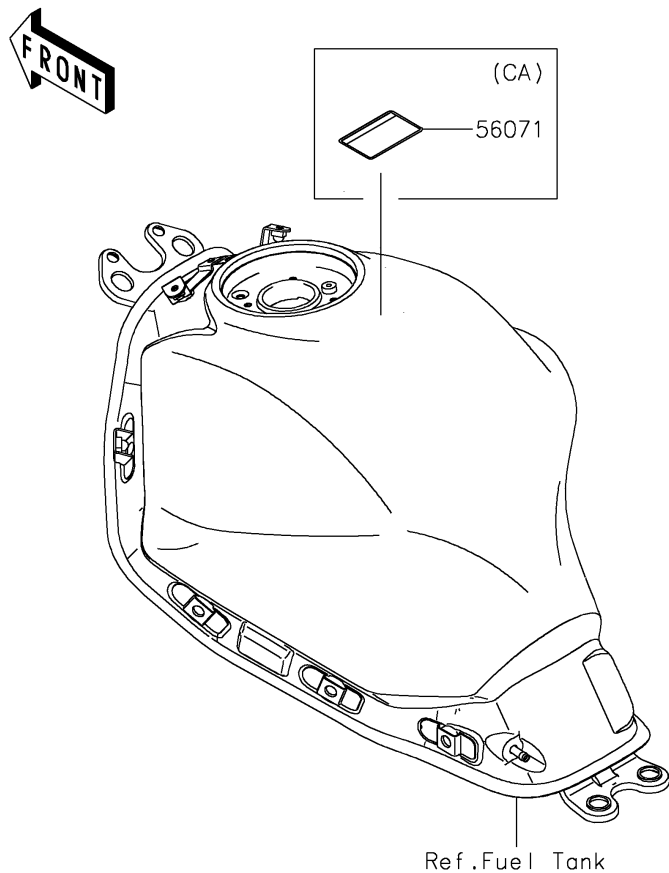


2026 NINJA® 650 ABS

PARTS DIAGRAM

Labels

F2860



2026 NINJA® 650 ABS

PARTS LIST

Labels

ITEM NAME

PART NUMBER

QUANTITY
