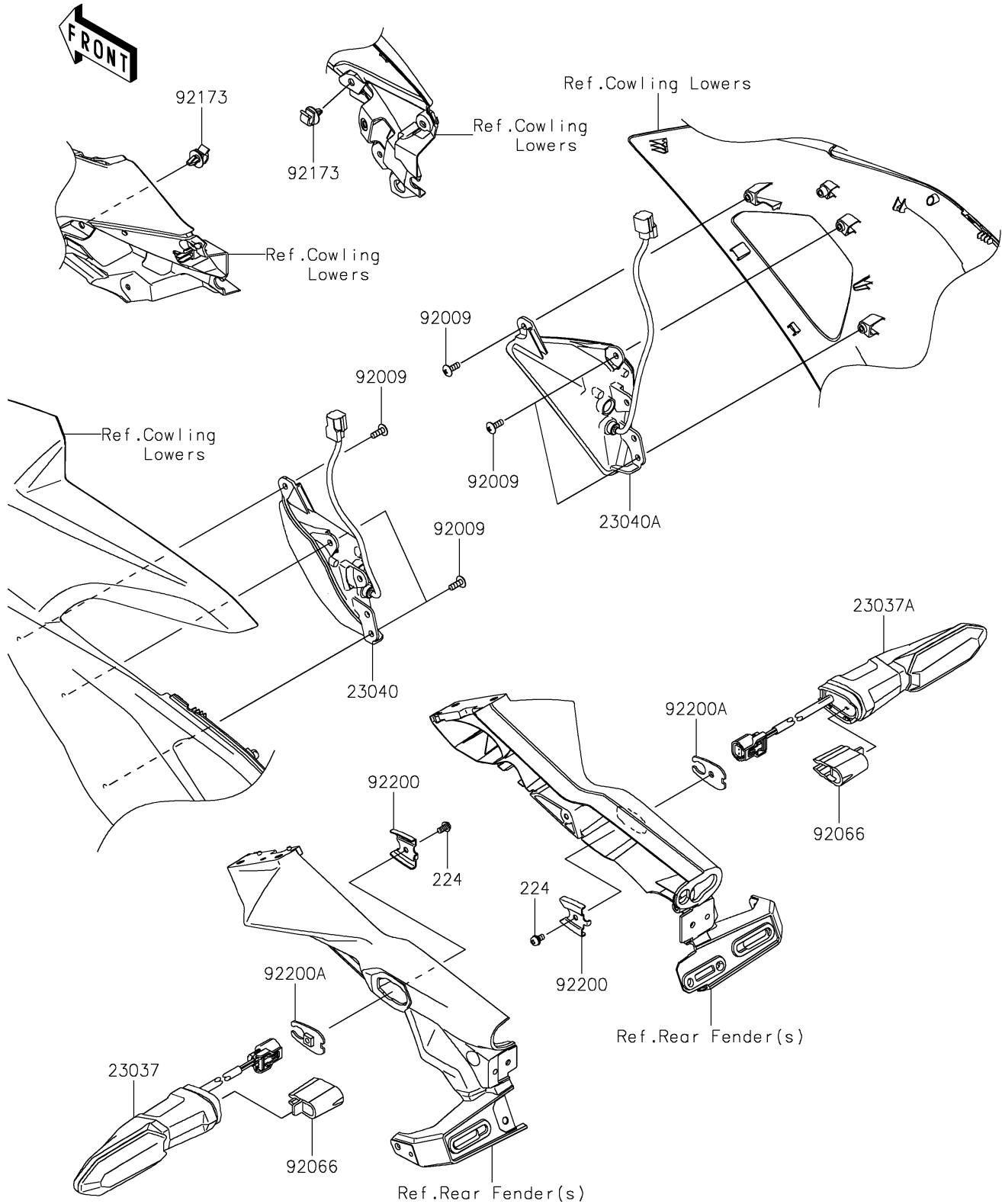


# 2025 NINJA® 650 KRT EDITION ABS

## PARTS DIAGRAM

### Turn Signals

F2730



# 2025 NINJA® 650 KRT EDITION ABS



## PARTS LIST

### Turn Signals

ITEM NAME	PART NUMBER	QUANTITY
-----------	-------------	----------

---