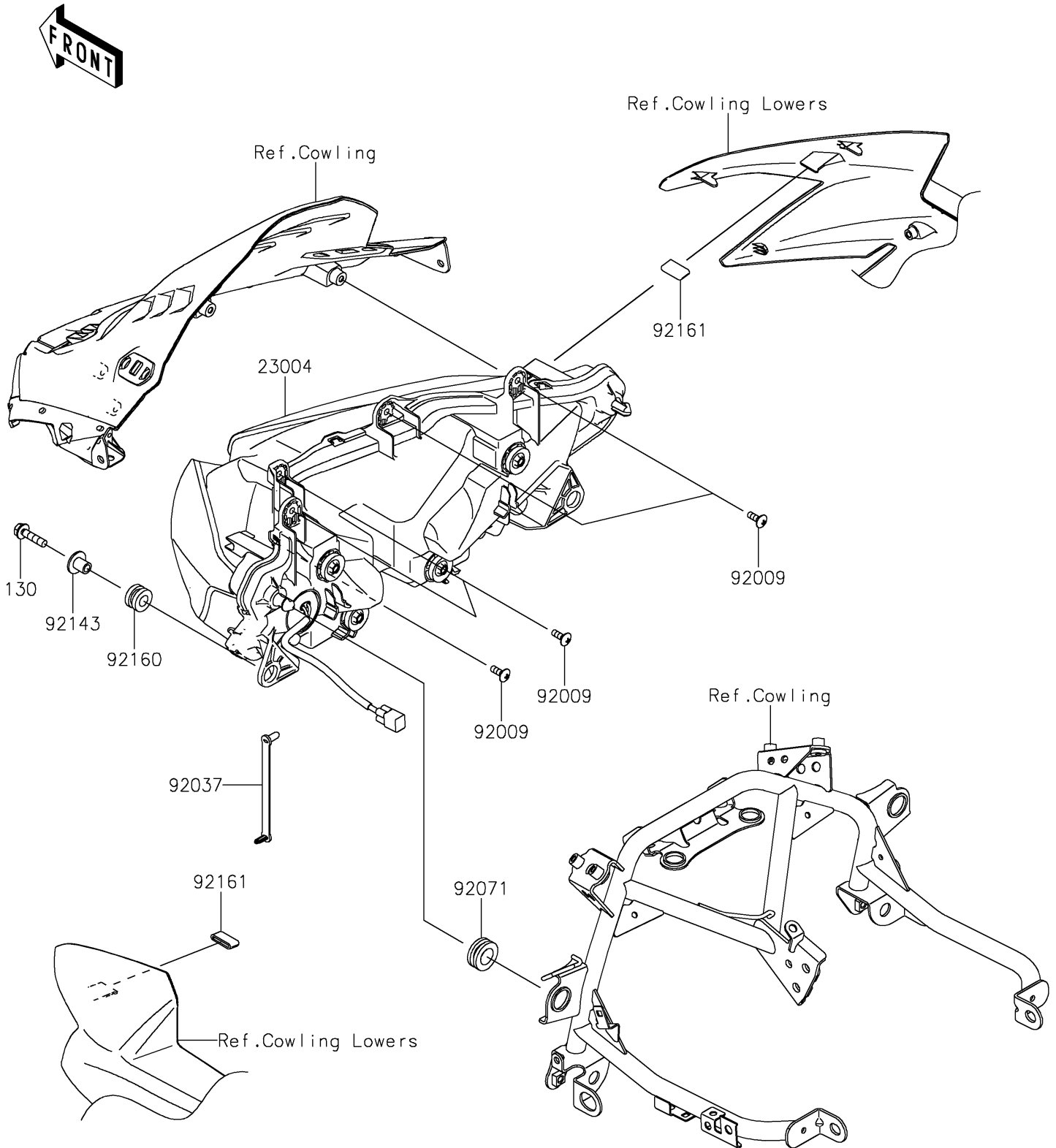


2026 NINJA® 650 ABS

PARTS DIAGRAM

Headlight(s)

F2710



2026 NINJA® 650 ABS

PARTS LIST

Headlight(s)

| ITEM NAME | PART NUMBER | QUANTITY |
|----------------------------------|-------------|----------|
| LAMP-HEAD,LED (Ref # 23004) | 23004-0423 | 1 |
| SCREW,TAPPING,5X14 (Ref # 92009) | 92009-1197 | 5 |
| CLAMP,SPEED,L=80.5 (Ref # 92037) | 92037-1903 | 1 |
| GROMMET (Ref # 92071) | 92071-1131 | 2 |
| COLLAR (Ref # 92143) | 92143-1353 | 2 |
| DAMPER,10X20X12 (Ref # 92160) | 92160-1167 | 2 |
| DAMPER,12X23 (Ref # 92161) | 92161-1367 | 2 |
| BOLT-FLANGED,6X25 (Ref # 130) | 130BA0625 | 2 |