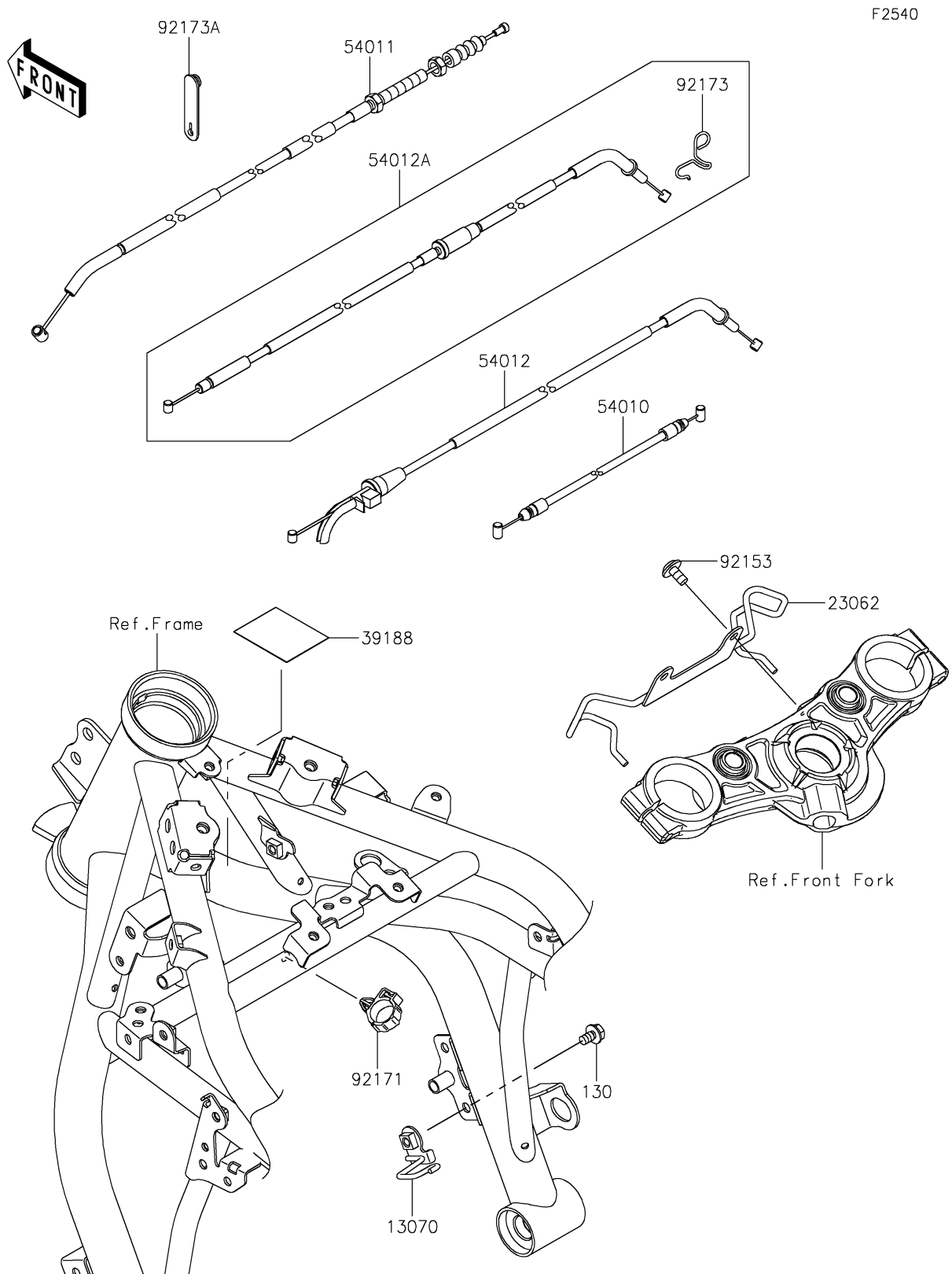


2026 NINJA® 650 ABS

PARTS DIAGRAM

Cables



2026 NINJA® 650 ABS

PARTS LIST

Cables

ITEM NAME

PART NUMBER

QUANTITY
