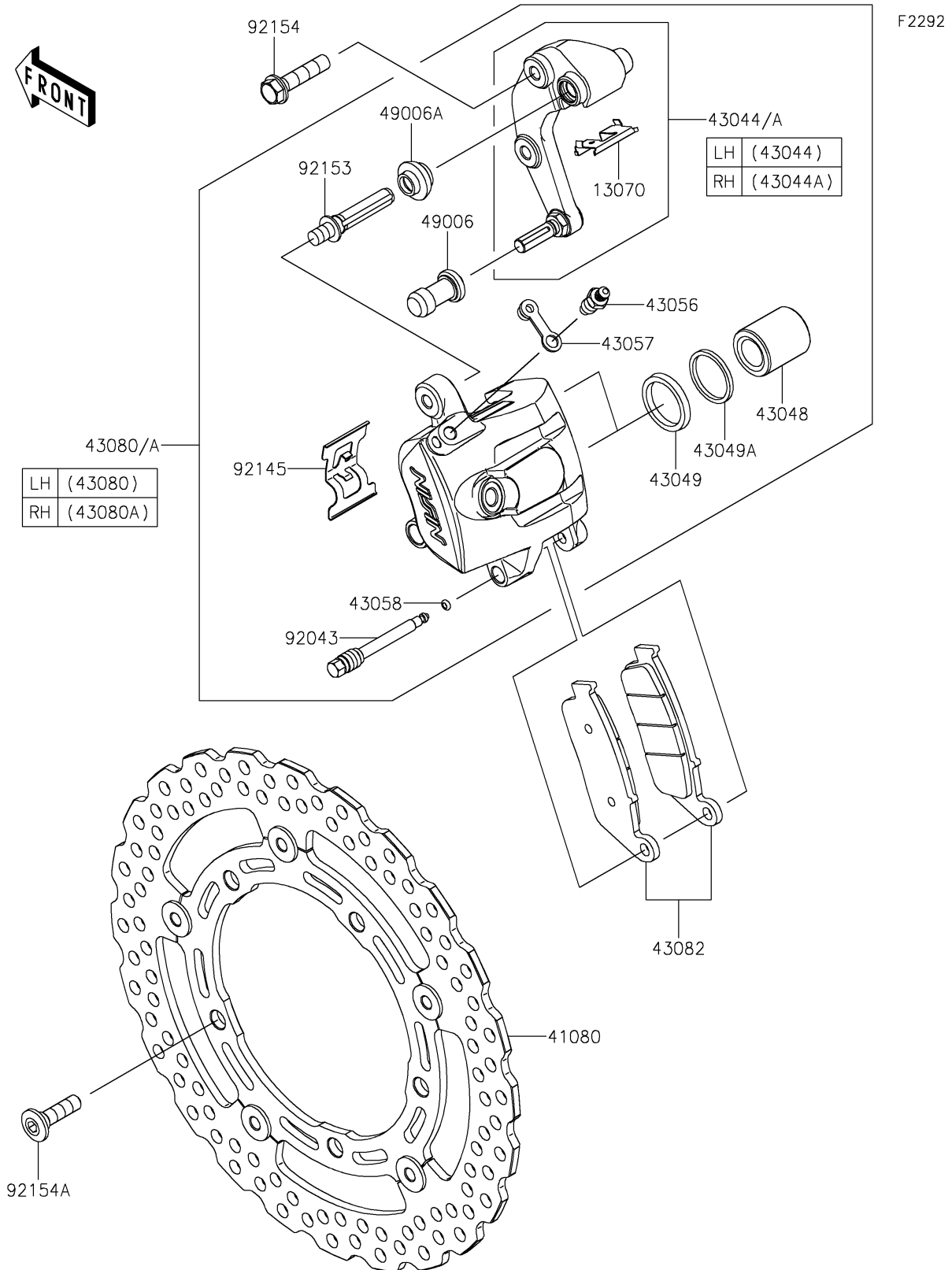


# 2026 NINJA® 650 ABS

## PARTS DIAGRAM

### Front Brake



# 2026 NINJA® 650 ABS

## PARTS LIST

### Front Brake

ITEM NAME	PART NUMBER	QUANTITY
-----------	-------------	----------

---