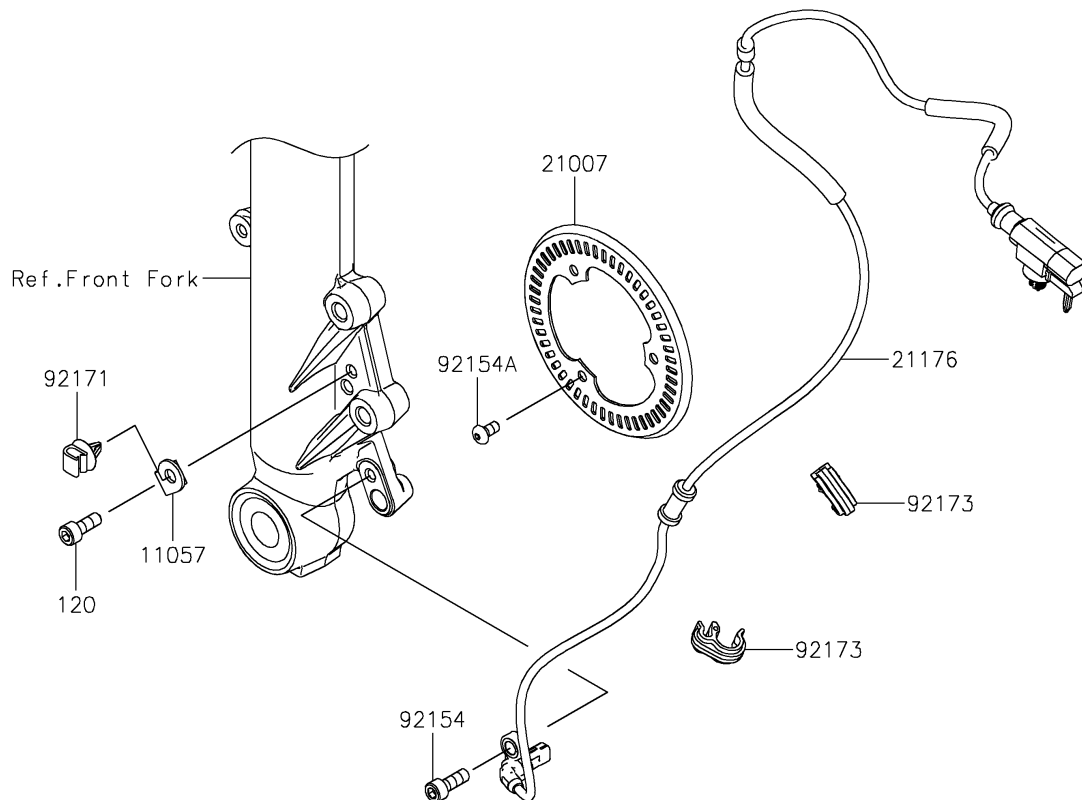
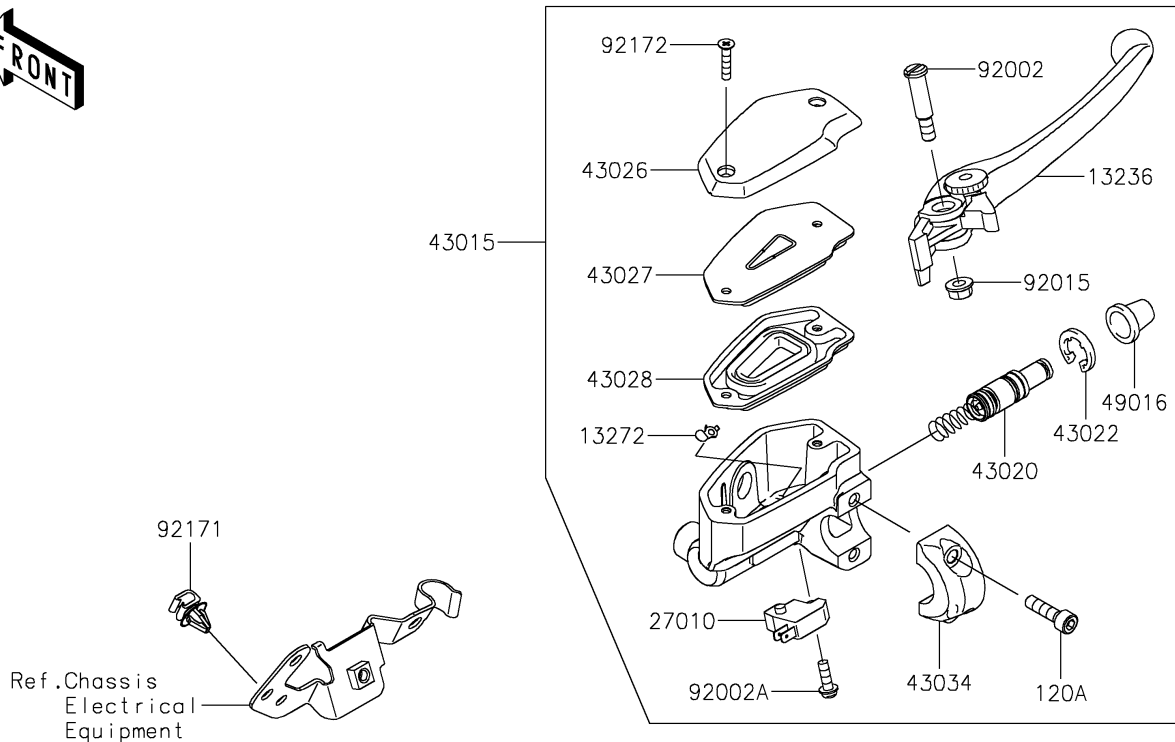


# 2026 NINJA® 650 ABS

## PARTS DIAGRAM

### Front Master Cylinder

F2291



# 2026 NINJA® 650 ABS

## PARTS LIST

### Front Master Cylinder

**ITEM NAME**

**PART NUMBER**

**QUANTITY**

---